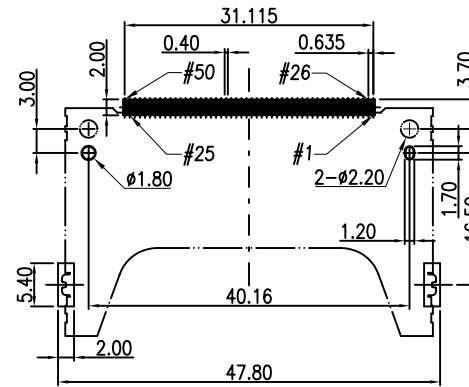
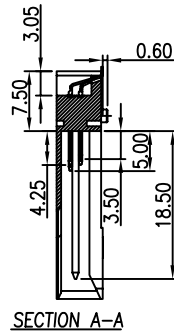
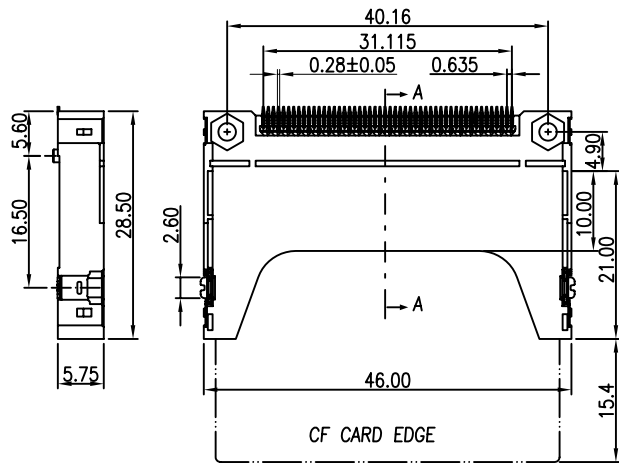


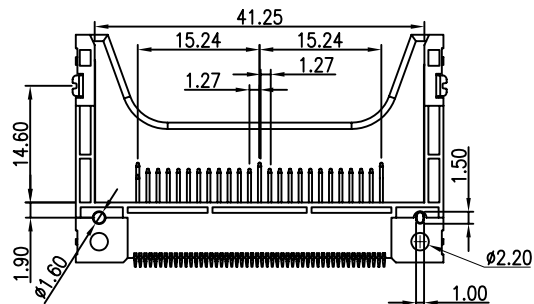
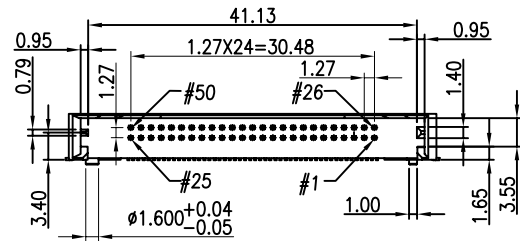
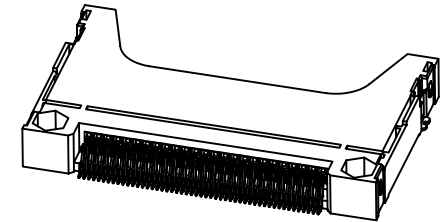
TABLE		
Pin Type	Interface Dim.	Pin No.
Detect	3.5mm (0.138In.)	25,26
General	4.25mm (0.167In.)	The others
Power	5.0mm (0.197In.)	01,13,38,50



P.C.B Layout

NOTES:

- MATERIAL
HOUSING: HIGH TEMPERATURE THERMOPLASTIC.
CONTACT: COPPER ALLOY.
PED: COPPER ALLOY.
- PLATING
CONTACT AREA: GOLD PLATED OVER Ni.
SOLDER TAIL: 100 u" MIN Sn/Pb PLATED OVER Ni.
PED: 100 u" MIN Sn/Pb PLATED OVER Ni.
- RATING
CURRENT RATING: 0.5A
VOLTAGE RATING: 250VRMS
OPERATING TEMPERATURE: -20°C~60°C
- SPECIFICATION
CONTACT RESISTANCE: 40 Milliohms
DIELECTRIC WITHSTANDING VOLTAGE: 500VAC
INSULATION RESISTANCE: 100 Megohms
INSERTION FORCE: 28.8N MAX.
SEPARATION FORCE: 4.9N MIN.
- UNSPECIFIED TOLERANCE: .XX ±0.25[0.010]
.X ±0.38[0.015]



Ordering Information:

XCFC-4-50MX-WFG0-21

4:Type 2 Rever Type

Contact Area Plating
3--5u" Gold Plated
4--10u" Gold Plated
5--15u" Gold Plated

DIM A :
2--40.16 mm

G--STAND OFF 1.40mm

F--STAND OFF 16.50MM

Color : W -- White

X MULTIPLE

CONNECTING THE INFORMATION AGE

XMULTIPLE ASIA 4F, No. 347, Yang Guang St., Neihu Chiu, Taipei, Taiwan 11475.		XMULTIPLE USA 1420 Los Angeles Ave., Suite G, Simi Valley, CA 93065		G/NO:
THIS DRAWING IS A CONTROLLED DOCUMENT.				
TITLE:		CF TYPE II 50PIN STAND OFF 1.40mm REVER TYPE		
PART NO:		XCFC-4-50MX-WFG0-21		
	DIMENSIONS	SHEET	REV	DRAWN: AGGIE CHKD: JEFF DATE: 24/08/05
	mm[inch]	1 of 1	01	