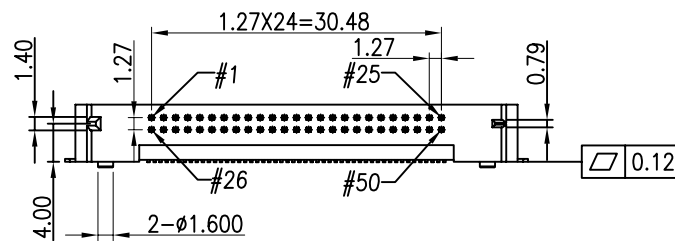
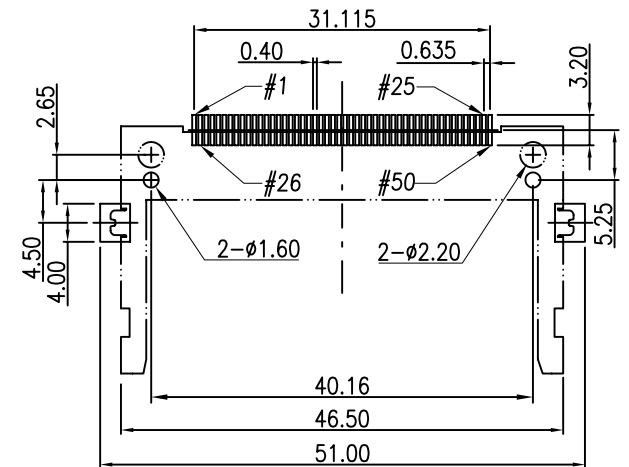


| TABLE | | |
|----------|-------------------|-------------|
| Pin Type | Interface Dim. | Pin No. |
| Detect | 3.5mm (0.138In.) | 25,26 |
| General | 4.25mm (0.167In.) | The others |
| Power | 5.0mm (0.197In.) | 01,13,38,50 |



NOTES:

1.MATERIAL

HOUSING: HIGH TEMPERATURE THERMOPLASTIC.
 CONTACT: COPPER ALLOY.
 PED: COPPER ALLOY.
 COLOR: WHITE.

2.PLATING

CONTACT AREA: 5u" MIN GOLD PLATED OVER Ni.
 SOLDER TAIL: 100 u" MIN Sn/Pb PLATED OVER Ni
 PED: 100 u" MIN Sn/Pb PLATED OVER Ni.

3.RATING

CURRENT RATING: 0.5A
 VOLTAGE RATING: 250VRMS
 OPERATING TEMPERATURE: -20°C~60°C

4.SPECIFICATION

CONTACT RESISTANCE: 40 Milliohms
 DIELECTRIC WITHSTANDING VOLTAGE: 500VAC
 INSULATION RESISTANCE: 100 Megohms
 INSERTION FORCE: 28.8N MAX.
 SEPARATION FORCE: 4.9N MIN.

5.UNSPECIFIED TOLERANCE: .XX ±0.25[0.010]
 .X ±0.38[0.015]

| | | | |
|--|--|---|--|
| XMULTIPLE | | CONNECTING THE INFORMATION AGE | |
| XMULTIPLE ASIA 4F, No. 347, Yang Guang St., Neihu Chiu, Taipei, Taiwan 11475 | | XMULTIPLE USA 1420 Los Angeles Ave., Suite G, Simi Valley, CA 93065 | |
| THIS DRAWING IS A CONTROLLED DOCUMENT. | | CUSTOMER/NO: | |
| TITLE: CF TYPE II 50PIN STAND OFF 2.00mm TYPE | | DWG NO: XCFC2-50M3-W670-10 | |
| PART NO: XCFC2-50M3-W670-10 | | DRAWN: NANCY | |
| | | CHKD: JEFF | |
| DIMENSIONS mm[inch] | | SHEET 1 of 1 | |
| | | REV 01 | |
| | | DATE: 30/05/05 | |