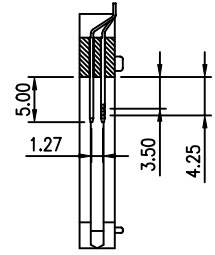
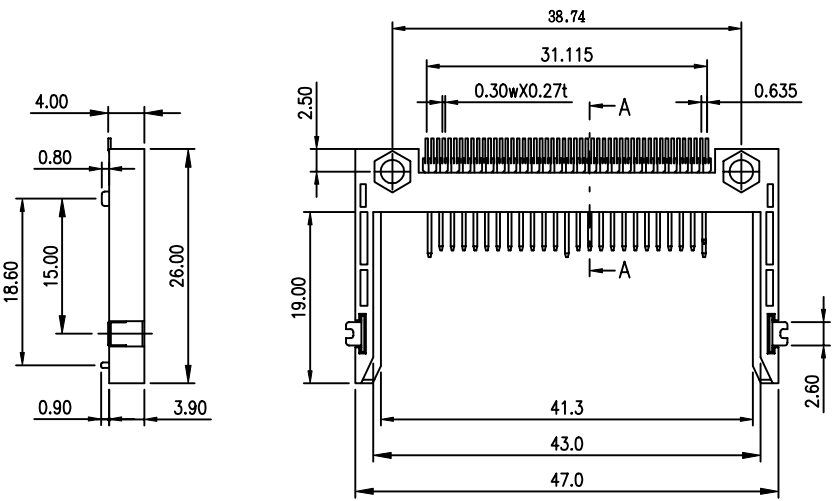


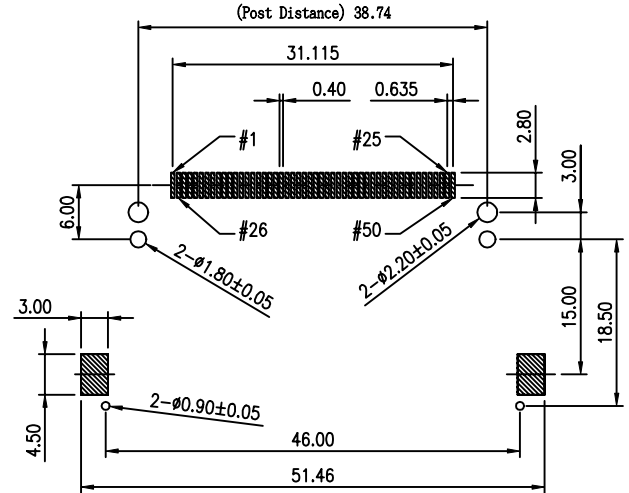
TABLE		
Pin Type	Interface Dim.	Pin No.
Detect	3.5mm (0.138In.)	25,26
General	4.25mm (0.167In.)	The others
Power	5.0mm (0.197In.)	01,13,38,50

NOTES:

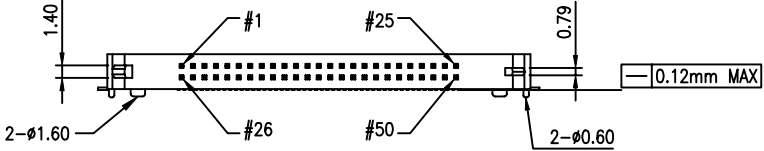
- MATERIAL  
HOUSING: HIGH TEMPERATURE THERMOPLASTIC.  
CONTACT: COPPER ALLOY.  
PED: BRASS.
- PLATING  
CONTACT: UNDERPLATED: 50 u" MIN Ni.  
CONTACT AREA: 15u" GOLD OVER Ni PLATED.  
SOLDER TAIL: 100 u" MIN Sn/Pb OVER Ni PLATED.  
PED: 100 u" MIN Sn/Pb OVER 50 u" MIN Ni PLATED.
- UNSPECIFIED TOLERANCE: .XX ±0.25[0.010]  
.X ±0.30[0.012]



SECTION A-A



RECOMMENDED P.C.B. LAYOUT



<h1>X MULTIPLE</h1>		CONNECTING THE INFORMATION AGE
XMULTIPLE ASIA 4F, No. 347, Yang Guang St., Neihu Chiu, Taipei, Taiwan 11475	XMULTIPLE USA 543 Country Club Drive #B 128 Simi Valley, CA 93065	CUSTOMER/NO:
THIS DRAWING IS A CONTROLLED DOCUMENT.		DWG NO: XCFC2-50M5W05010-01
TITLE: CF Card Connector Slim Type (P=38.74)		DRAWN: JEFF
PART NO: XCFC2-50M5W05010-01		CHKD: C. TSAI
	DIMENSIONS mm[inch]	SHEET 1 of 1
	REV 01	DATE: 20/11/03"