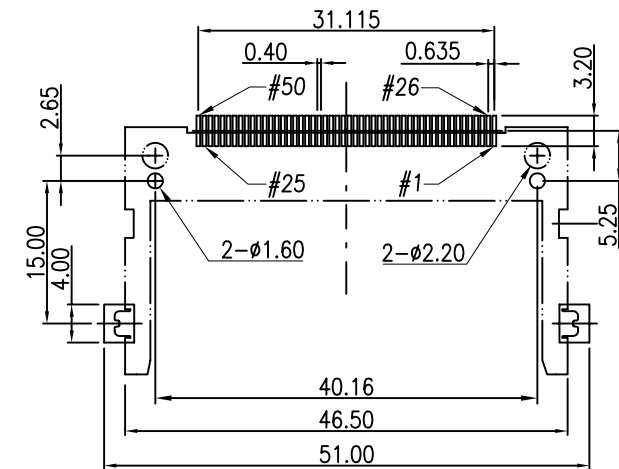


TABLE		
Pin Type	Interface Dim.	Pin No.
Detect	3.5mm (0.138In.)	25,26
General	4.25mm (0.167In.)	The others
Power	5.0mm (0.197In.)	01,13,38,50



P.C.B Layout

**NOTES:**

**1.MATERIAL**

HOUSING: HIGH TEMPERATURE THERMOPLASTIC.  
 CONTACT: COPPER ALLOY.  
 PED: COPPER ALLOY.  
 COLOR: BEIGE.

**2.PLATING**

CONTACT AREA: 5 u" MIN GOLD PLATED OVER Ni.  
 SOLDER TAIL: 100 u" MIN Sn/Pb PLATED OVER Ni  
 PED: 100 u" MIN Sn/Pb PLATED OVER Ni.

**3.RATING**

CURRENT RATING: 0.5A  
 VOLTAGE RATING: 250VRMS  
 OPERATING TEMPERATURE:-20°C~60°C

**4.SPECIFICATION**

CONTACT RESISTANCE: 40 Milliohms  
 DIELECTRIC WITHSTANDING VOLTAGE: 500VAC  
 INSULATION RESISTANCE: 100 Megohms  
 INSERTION FORCE: 28.8N MAX.  
 SEPARATION FORCE: 4.9N MIN.

**5.UNSPECIFIED TOLERANCE: .XX ±0.25[0.010]  
 .X ±0.38[0.015]**

<h1>X MULTIPLE</h1>		CONNECTING THE INFORMATION AGE	
XMULTIPLE ASIA 4F, No. 347, Yang Guang St., Neihu Chiu, Taipei, Taiwan 11475		XMULTIPLE USA 1420 Los Angeles Ave., Suite G, Simi Valley, CA 93065	
THIS DRAWING IS A CONTROLLED DOCUMENT.		CUSTOMER/NO:	
TITLE: CF TYPE II 50PIN STAND OFF 1.40mm REVER TYPE		DWG NO: XCFC4-50M3-W7G0-10	
PART NO: XCFC4-50M3-W7G0-10		DRAWN: LEON	
		CHKD: JEFF	
		DATE: 27/05/05	
DIMENSIONS		SHEET	
mm[inch]		1 of 1	
		REV	
		01	