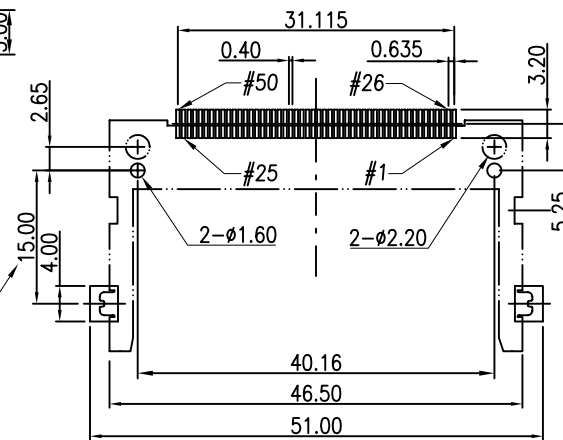
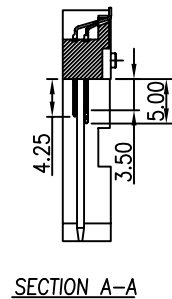
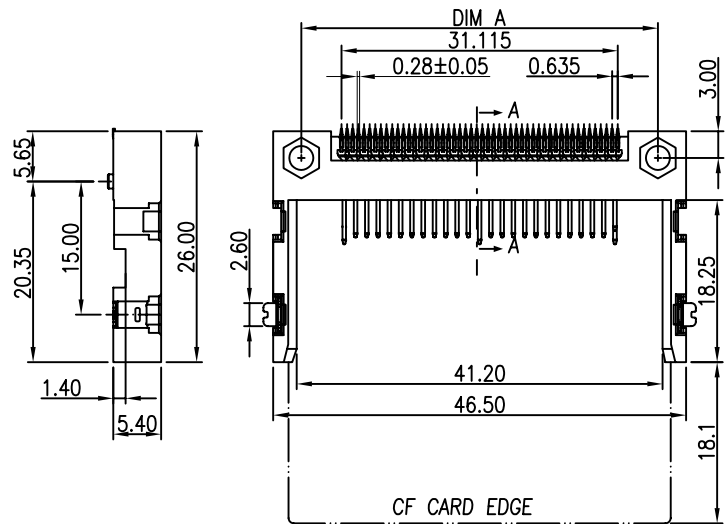


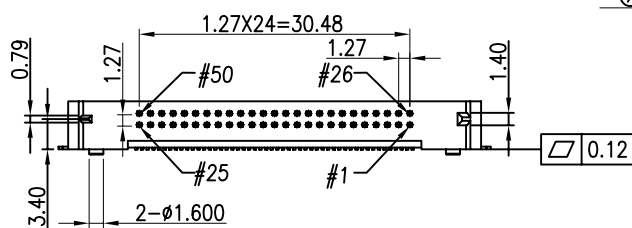
TABLE		
Pin Type	Interface Dim.	Pin No.
Detect	3.5mm (0.138In.)	25,26
General	4.25mm (0.167In.)	The others
Power	5.0mm (0.197In.)	01,13,38,50

NOTES:

- MATERIAL
HOUSING: HIGH TEMPERATURE THERMOPLASTIC.
CONTACT: COPPER ALLOY.
PED: COPPER ALLOY.
- PLATING
CONTACT AREA: GOLD PLATED OVER Ni.
SOLDER TAIL: 100 u" MIN Sn/Pb PLATED OVER Ni.
PED: 100 u" MIN Sn/Pb PLATED OVER Ni.
- RATING
CURRENT RATING: 0.5A
VOLTAGE RATING: 250VRMS
OPERATING TEMPERATURE: -20°C~60°C
- SPECIFICATION
CONTACT RESISTANCE: 40 Milliohms
DIELECTRIC WITHSTANDING VOLTAGE: 500VAC
INSULATION RESISTANCE: 100 Megohms
INSERTION FORCE: 28.8N MAX.
SEPARATION FORCE: 4.9N MIN.
- UNSPECIFIED TOLERANCE: .XX ±0.25[0.010]
.X ±0.38[0.015]



P.C.B Layout



Ordering Information:

XCFC4-50MX-W7G0-X0

4:Type 2 Rever Type

Contact Area Plating
3--5u" Gold Plated
4--10u" Gold Plated
5--15u" Gold Plated

DIM A :
1--38.74 mm
2--40.16 mm

G--STAND OFF 1.40mm

⑦--15.00MM

Color : W -- White

<h1>X MULTIPLE</h1>		CONNECTING THE INFORMATION AGE	
X MULTIPLE ASIA 4F, No. 347, Yang Guang St., Neihu Chiu, Taipei, Taiwan 11475.		X MULTIPLE USA 1420 Los Angeles Ave., Suite G, Simi Valley, CA 93065	
G/NO:		DWG NO: XCFC4-50MX-W7G0-X0	
THIS DRAWING IS A CONTROLLED DOCUMENT.			
TITLE: CF TYPE II 50PIN STAND OFF 1.40mm REVER TYPE		DRAWN: LEON	
PART NO: XCFC4-50MX-W7G0-X0		CHKD: JEFF	
	DIMENSIONS mm[inch]	SHEET 1 of 1	REV 01
			DATE: 20/07/05