

TEST NOTES:25°C

1.TR:(100KHz,0.1V): 1:1±3%

2.OCL:(100KHz,100mV,8mA, DC Bias):
PRIMARY SIDE:350uH MINIMUM

3.DCR: SEC = 1.2 Ω MAXIMUM
PRI=1.0 Ω MAXIMUM

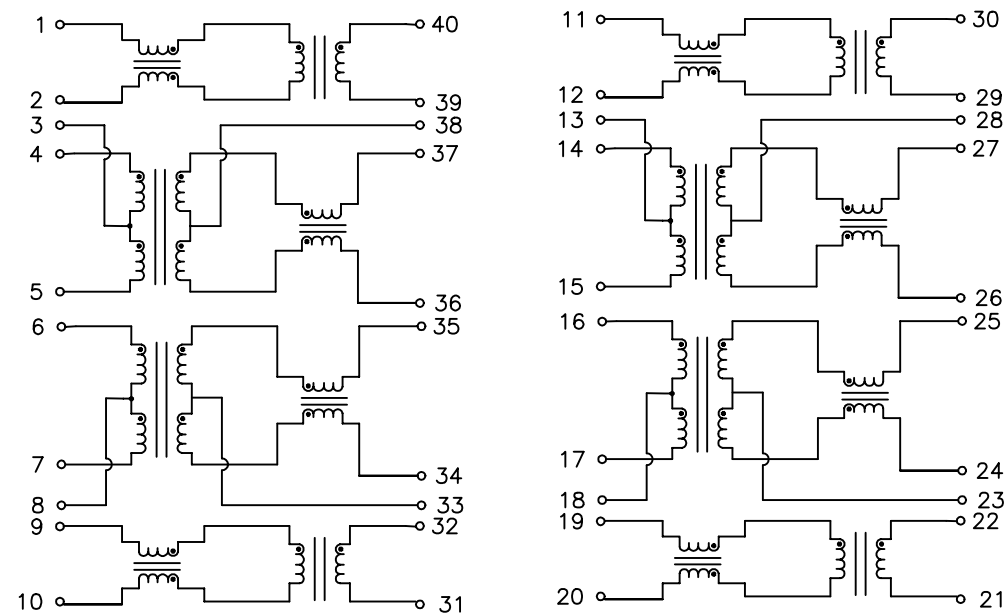
4.HIPOT:
PRI TO SEC=1500VAC

5.INSERTION LOSS:
-1.1 dB MAXIMUM AT 100KHz TO 100MHz

6.RETURN LOSS:
-18 dB MINIMUM AT 1MHz TO 30MHz
-14.4 dB MINIMUM AT 40MHz
-13.1 dB MINIMUM AT 50MHz
-12 dB MINIMUM AT 60MHz TO 80MHz

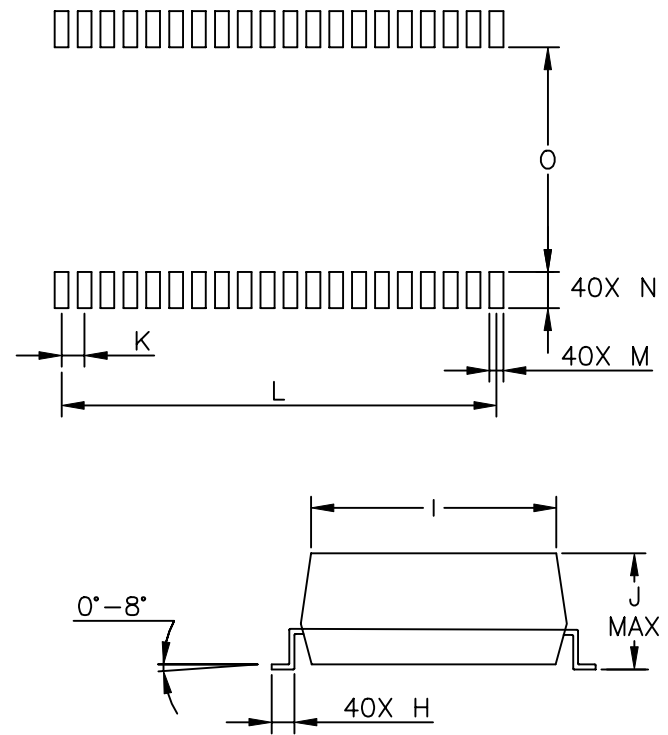
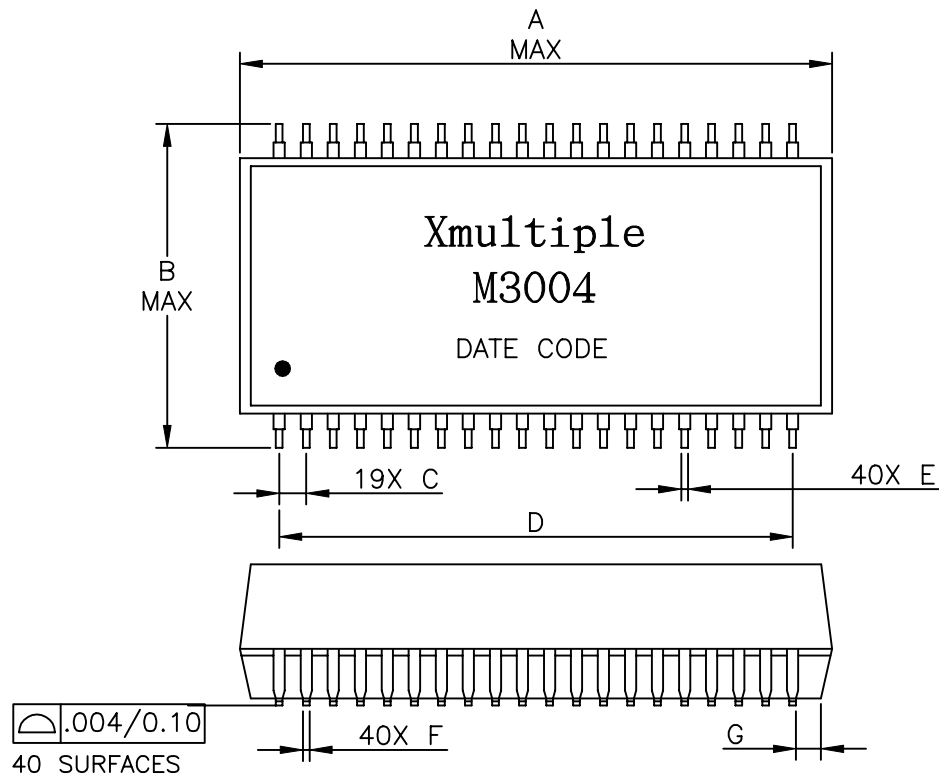
7.CROSS TALK:
-50 dB MINIMUM AT 1MHz
-40 dB MINIMUM AT 30MHz TO 60MHz
-33 dB MINIMUM AT 100MHz

8.DIFFERENT TO COMMON MODE REJECTION:
-37 dB MINIMUM AT 1MHz TO 60MHz
-30 dB MINIMUM AT 60MHz TO 100MHz



SCHEMATIC

X MULTIPLE		CONNECTING THE INFORMATION AGE	
XMULTIPLE ASIA 4F, No. 347, Yang Guang St., Neihu Chiu, Taipei, Taiwan 11475		XMULTIPLE USA 543 Country Club Drive #B 128 Simi Valley, CA 93065	
THIS DRAWING IS A CONTROLLED DOCUMENT.		CUSTOMER/NO:	
TITLE: 10/100BASE-TX QUAD PORT TRANSFORMER MODULES		DWG NO: XTFZ-M3004	
PART NO: XTFZ-M3004		DRAWN: JEFF	
DIMENSIONS		CHKD: C. TSAI	
mm[inch]		DATE: 14/07/03	
SHEET		REV	
1 of 2		01	



A	B	C	D	E	F	G	H	I	J	K	L	M	N	O
1.130	.645	.050	.950	.018	.024	.010±.005	.045	.485	.235	.050	.950	.030	.090	.480
28.70	16.38	1.27	24.13	0.46	0.61	0.25±0.13	1.14	12.32	5.97	1.27	24.13	0.77	2.29	12.19

Dimensions: Inches/mm Unless otherwise specified, all tolerances are ±.010/0.25

<h1>X MULTIPLE</h1>		CONNECTING THE INFORMATION AGE
XMULTIPLE ASIA 4F, No. 347, Yang Guang St., Neihu Chiu, Taipei, Taiwan 11475	XMULTIPLE USA 543 Country Club Drive #B 128 Simi Valley, CA 93065	CUSTOMER/NO:
THIS DRAWING IS A CONTROLLED DOCUMENT.		DWG NO: XTFZ-M3004
TITLE: 10/100BASE-TX QUAD PORT TRANSFORMER MODULES		DRAWN: JEFF
PART NO: XTFZ-M3004		CHKD: C. TSAI
	DIMENSIONS mm[inch]	SHEET 2 of 2
	REV 01	DATE: 14/07/03