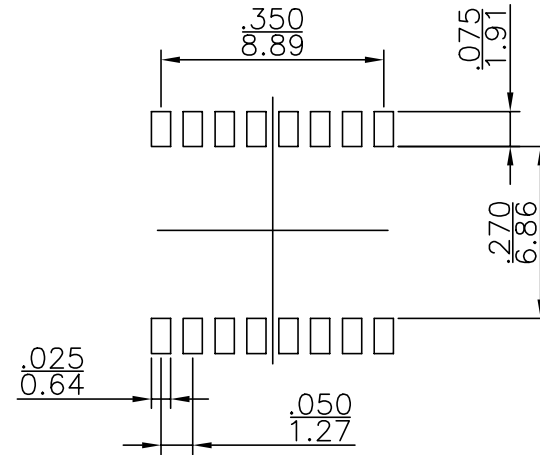
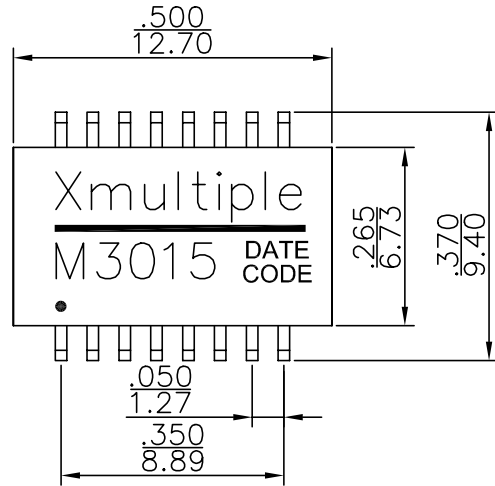
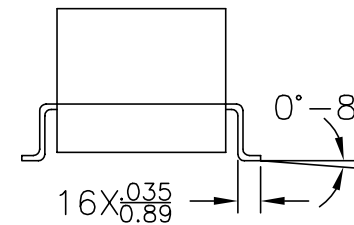
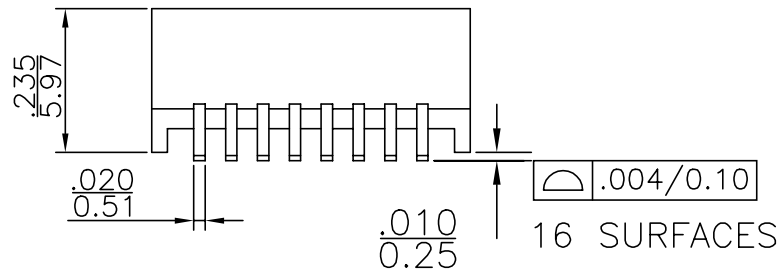


MECHANICALS



SUGGESTED PAD LAYOUT



Dimensions: Inches/mm

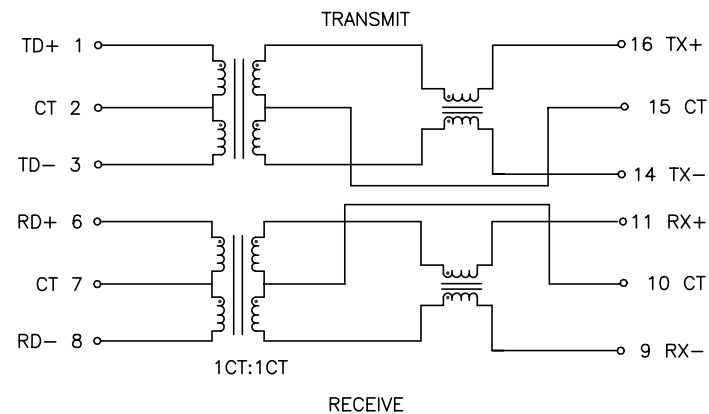
Unless otherwise specified, all tolerances are $\pm 0.010/0.25$

X MULTIPLE		CONNECTING THE INFORMATION AGE	
XMULTIPLE ASIA 4F, No. 347, Yang Guang St., Neihu Chiu, Taipei, Taiwan 11475		XMULTIPLE USA 543 Country Club Drive #B 128 Simi Valley, CA 93085	
THIS DRAWING IS A CONTROLLED DOCUMENT.		CUSTOMER/NO: XTFZ-M3015	
TITLE: 10/100 BASE-T SINGLE PORT, SURFACE MOUNT MAGNETICS		DWG NO: XTFZ-M3015	
PART NO: XTFZ-M3015		DRAWN: TARA	
		CHKD: C. TSAI	
DIMENSIONS inch [mm]		SHEET 1 of 2	
REV 01		DATE: 29/01/04'	

TEST NOTES: (25±5°C)

1. TR: (100KHz, 0.1V);
 PINS: (1, 3): (16, 14) = 1: 1±3%
 PINS: (6, 8): (11, 9) = 1: 1±3%
2. LX: (100KHz, 100mV, 8mA, DC Bias)
 PINS: (1, 3), (6, 8) = 350uH MIN
3. DCR:
 PINS: (16, 14)(11, 9) = 1.2 OHMS MAX
 PINS: (1, 3), (6, 8) = 1.0 OHMS MAX
4. HIPOT:
 PINS: (1, 2, 3) TO (16, 15, 14) = 1500VAC FOR 60 SECONDS
 PINS: (6, 7, 8) TO (11, 10, 9) = 1500VAC FOR 60 SECONDS
5. INSERTION LOSS:
 -1.1dB MAXIMUM AT 0.1MHz TO 100MHz;
6. RETURN LOSS:
 -20dB MINIMUM AT 1MHz TO 30MHz;
 -14dB MINIMUM AT 30MHz TO 60MHz;
 -11.5dB MINIMUM AT 60MHz TO 80MHz
7. CROSS TALK:
 -45dB MINIMUM AT 1MHz TO 30MHz;
 -40dB MINIMUM AT 30MHz TO 50MHz;
 -35dB MINIMUM AT 50MHz TO 100MHz;
8. DIFFERENTIAL TO COMMON MODE REJECTION:
 -42dB MINIMUM AT 1MHz TO 30MHz;
 -37dB MINIMUM AT 30MHz TO 50MHz
 -33dB MINIMUM AT 50MHz TO 100MHz

SCHEMATIC



XMULTIPLE		CONNECTING THE INFORMATION AGE	
XMULTIPLE ASIA 4F, No. 347, Yang Guang St., Neihu Chiu, Taipei, Taiwan 11475		XMULTIPLE USA 543 Country Club Drive #B 128 Simi Valley, CA 93085	
THIS DRAWING IS A CONTROLLED DOCUMENT.		CUSTOMER/NO: XTFZ-M3015	
TITLE: 10/100 BASE-T SINGLE PORT, SURFACE MOUNT MAGNETICS		DWG NO: XTFZ-M3015	
PART NO: XTFZ-M3015		DRAWN: TARA	
		CHKD: C. TSAI	
		DATE: 29/01/04'	
DIMENSIONS	SHEET	REV	
inch [mm]	2 of 2	01	