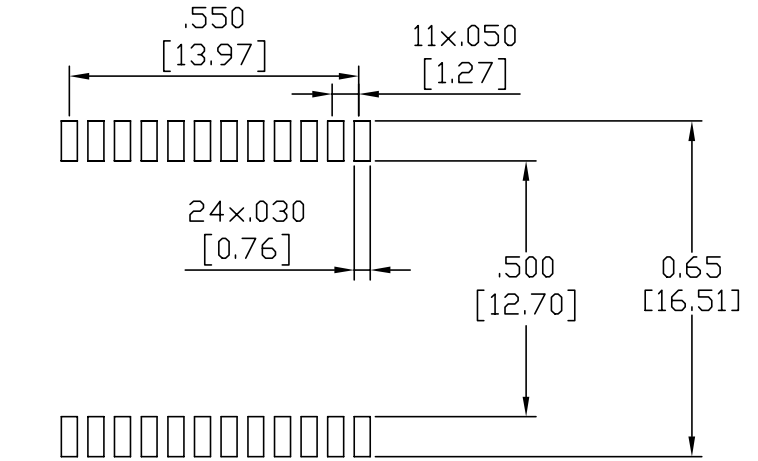
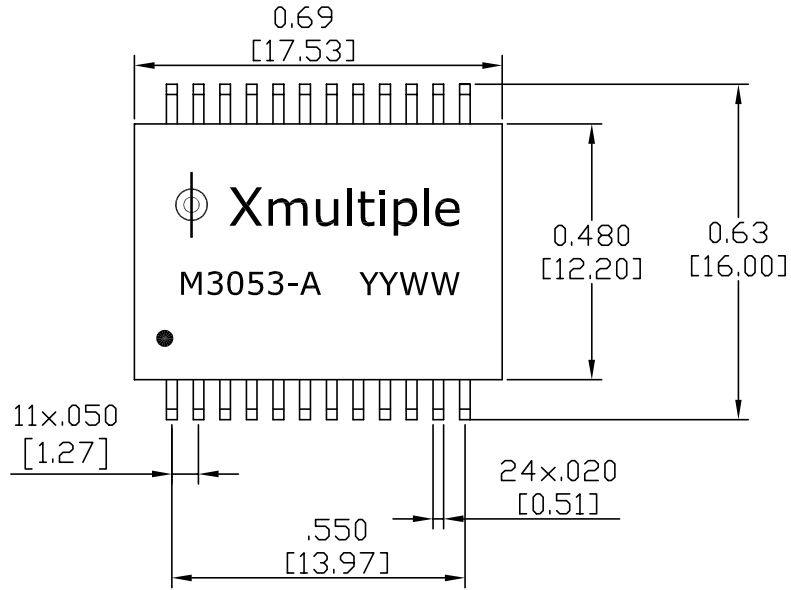
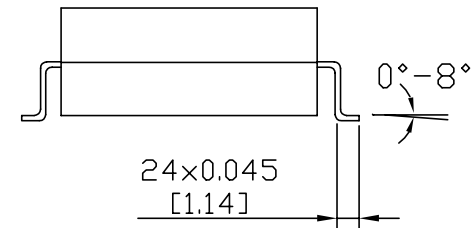
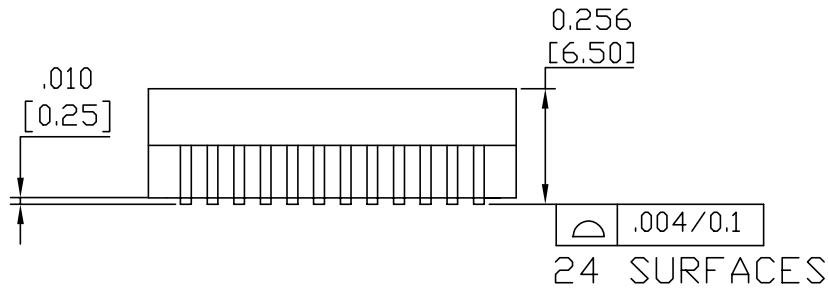


# MECHANICALS



SUGGESTED PAD LAYOUT



Dimensions: Inches/mm

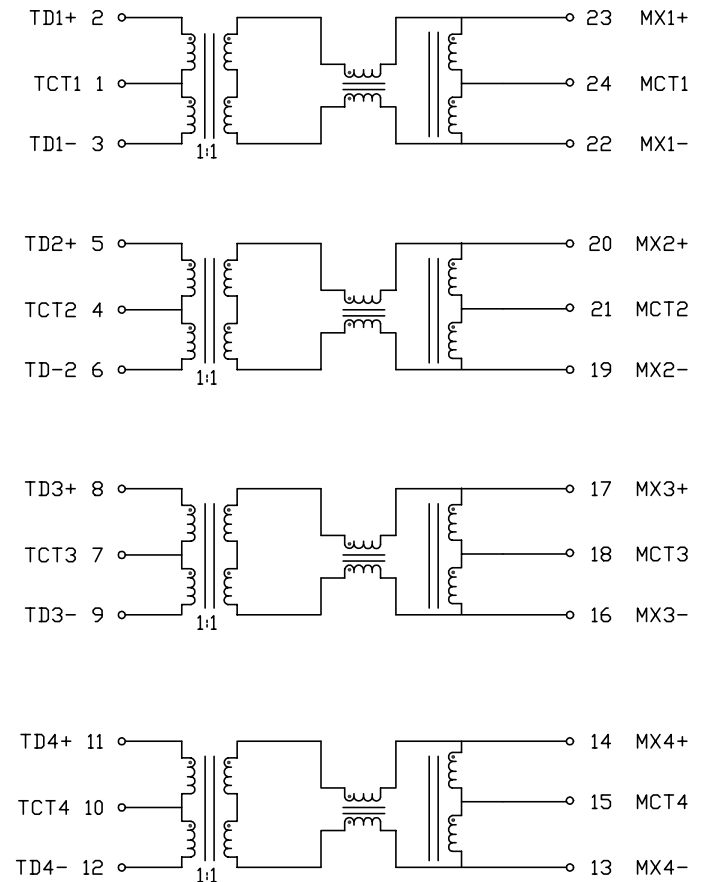
Unless otherwise specified, all tolerances are  $\pm 0.010$  /  $0.250$

<b>X MULTIPLE</b>		CONNECTING THE INFORMATION AGE	
XMULTIPLE ASIA 4F, No. 347, Yang Guang St., Neihu Chiu, Taipei, Taiwan 11475		XMULTIPLE USA 543 Country Club Drive #B 128 Simi Valley, CA 93065	
THIS DRAWING IS A CONTROLLED DOCUMENT.		CUSTOMER/NO:	
TITLE: 1000BASE-T MAGNETICS MODULES Designed to Support 1:1 Turns Ratio Transceivers		DWG NO: XTFZ-M3053-A	
PART NO: XTFZ-M3053-A		DRAWN: TARA	
		CHKD: C. TSAI	
		DATE: 24/05/04	
DIMENSIONS		SHEET	REV
Inch [mm]		1 of 2	01

# TEST NOTES: (25±5°C)

1. TR: (100KHz, 0.1V);  
 PINS: (2,3):(23,22)=1: 1±3%: (5,6):(20,19)=1: 1±3%  
 PINS: (8,9):(17,16)=1: 1±3%: (11,12):(14,13)=1: 1±3%
2. LX: (100KHz, 100mV, 8mA, DC Bias)  
 PINS: (23,22),(20,19),(17,16),(14,13)=350uH MIN
3. DCR:  
 PINS: (23,22),(20,19),(17,16),(14,13)=1.0 OHMS MAX  
 PINS: (2,3),(5,6),(8,9),(11,12)=1.0 OHMS MAX
4. HIPOT:  
 PINS: (1,2,3)TO(24,23,22)=1500VAC FOR 60 SECONDS  
 PINS: (4,5,6)TO(21,20,19)=1500VAC FOR 60 SECONDS  
 PINS: (7,8,9)TO(18,17,16)=1500VAC FOR 60 SECONDS  
 PINS: (10,11,12)TO(15,14,13)=1500VAC FOR 60 SECONDS
5. INSERTION LOSS:  
 -1.1dB MAXIMUM AT 0.1MHz TO 100MHz;
6. RETURN LOSS:  
 -18dB MINIMUM AT 1MHz TO 40MHz;  
 -14.4dB MINIMUM AT 40MHz TO 50MHz;  
 -13.1dB MINIMUM AT 50MHz TO 60MHz;  
 -10dB MINIMUM AT 60MHz TO 100MHz
7. CROSS TALK:  
 -40dB MINIMUM AT 1MHz TO 30MHz;  
 -35dB MINIMUM AT 30MHz TO 60MHz;  
 -33dB MINIMUM AT 60MHz TO 100MHz;
8. DIFFERENTIAL TO COMMON MODE REJECTION:  
 -38dB MINIMUM AT 1MHz TO 30MHz;  
 -37dB MINIMUM AT 30MHz TO 60MHz;  
 -30dB MINIMUM AT 60MHz TO 100MHz

# SCHEMATIC



<b>X MULTIPLE</b>			CONNECTING THE INFORMATION AGE
XMULTIPLE ASIA 4F, No. 347, Yang Guang St., Neihu Chiu, Taipei, Taiwan 11475	XMULTIPLE USA 543 Country Club Drive #B 12B Simi Valley, CA 93065	CUSTOMER/NO:	
THIS DRAWING IS A CONTROLLED DOCUMENT.			
TITLE: 1000BASE-T MAGNETICS MODULES Designed to Support 1:1 Turns Ratio Transceivers			
PART NO: XTFZ-M3053-A			
	DIMENSIONS	SHEET	REV
	inch [mm]	2 of 2	01
			CHKD: C. TSAI
			DATE: 24/05/04