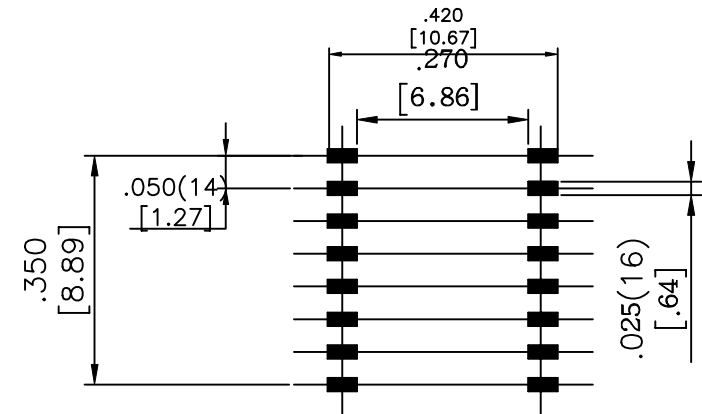
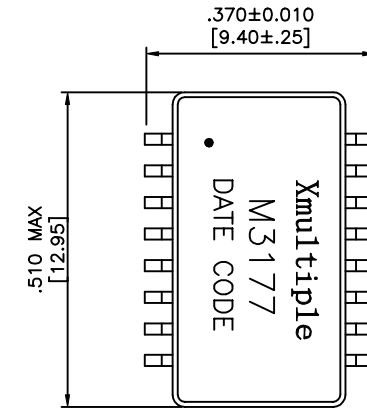
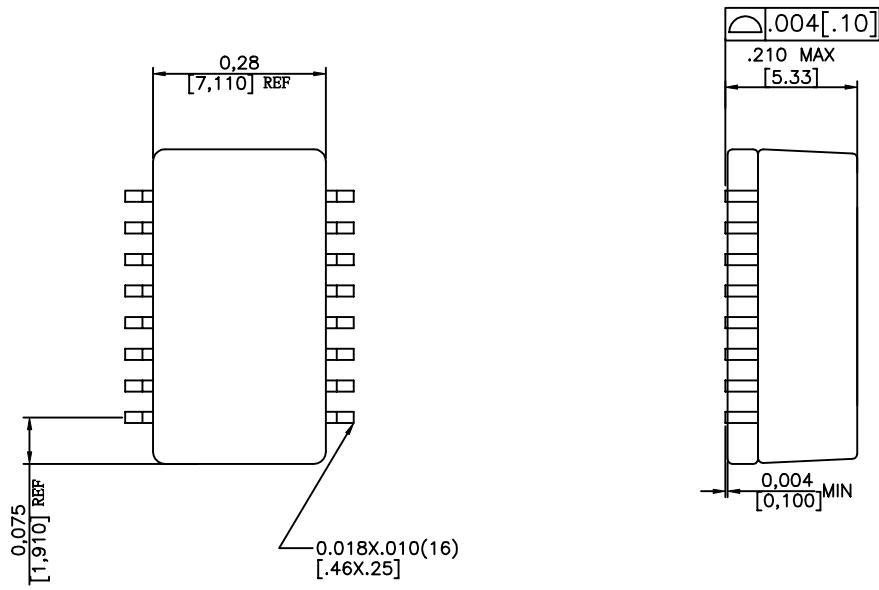


# MECHANICALS



SUGGESTED PAD LAYOUT

Dimensions:Inch(mm) Tolerances:±0.01(0.25)

<h1>X MULTIPLE</h1>		CONNECTING THE INFORMATION AGE
XMULTIPLE ASIA 4F, No. 347, Yang Guang St., Neihu Chiu, Taipei, Taiwan 11475	XMULTIPLE USA 543 Country Club Drive #B 128 Simi Valley, CA 93065	CUSTOMER/NO:
THIS DRAWING IS A CONTROLLED DOCUMENT.		DWG NO: XTFZ-M3177
TITLE: 10/100 Bbps SMD Transformer & Choke		DRAWN: JEFF
PART NO: XTFZ-M3177		CHKD: FUTIEN
	DIMENSIONS	SHEET
inch [mm]	1 of 2	REV
	01	DATE: 24/02/04

TEST NOTES:( $25 \pm 5^\circ\text{C}$ )

1.TR:(100KHz,0.1V);

PINS:(1,3):(16,14)= $1:1 \pm 2\%$

PINS:(6,8):(11,9)= $1:1 \pm 2\%$

2.LX:(100KHz,100mV,8mA, DC Bias)

PINS:(1,3),(6,8)=350uH MIN

3.DCR:

PINS:(16,14),(11,9) =1.2 OHMS MAX

PINS:(1,3),(6,8) =1.0 OHMS MAX

4.HIPOT:

PINS:(1,2,3)TO(16,15,14)=1500VAC FOR 60 SECONDS

PINS:(6,7,8)TO(11,10,9)=1500VAC FOR 60 SECONDS

5.INSERTION LOSS:

-1.1dB MAXIMUM AT 0.5MHz TO 100MHz;

6.RETURN LOSS:

-18dB MINIMUM AT 0.5MHz TO 30MHz;

-16dB MINIMUM AT 30MHz TO 45MHz;

-14dB MINIMUM AT 45MHz TO 60MHz;

-12dB MINIMUM AT 60MHz TO 80MHz;

7.CROSS TALK:

-35dB MINIMUM AT 1MHz TO 100MHz;

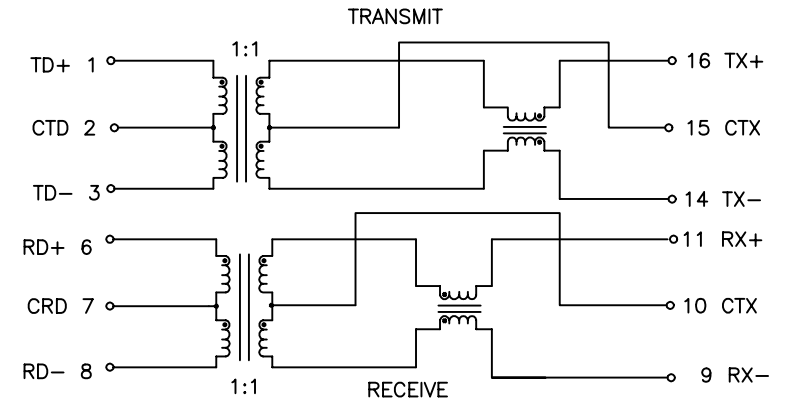
8.DCMR:

-30dB MINIMUM AT 0.5MHz TO 100MHz;

9.CMRR:

-30dB MINIMUM AT 0.5MHz TO 100MHz;

SCHEMATIC



<b>X MULTIPLE</b>		CONNECTING THE INFORMATION AGE	
XMULTIPLE ASIA 4F, No. 347, Yang Guang St., Neihu Chiu, Taipei, Taiwan 11475		XMULTIPLE USA 543 Country Club Drive #B 128 Simi Valley, CA 93065	
THIS DRAWING IS A CONTROLLED DOCUMENT.		CUSTOMER/NO:	
TITLE: 10/100 Bbps SMD Transformer & Choke		DWG NO: XTFZ-M3177	
PART NO: XTFZ-M3177		DRAWN: JEFF	
		CHKD: FUTIEN	
		DATE: 24/02/04	
DIMENSIONS	SHEET	REV	
inch [mm]	2 of 2	01	