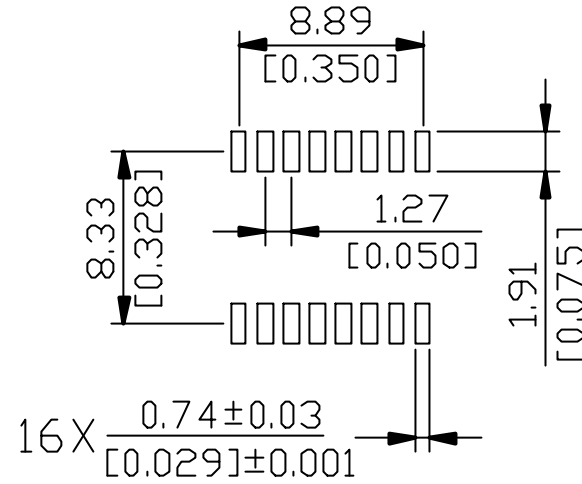
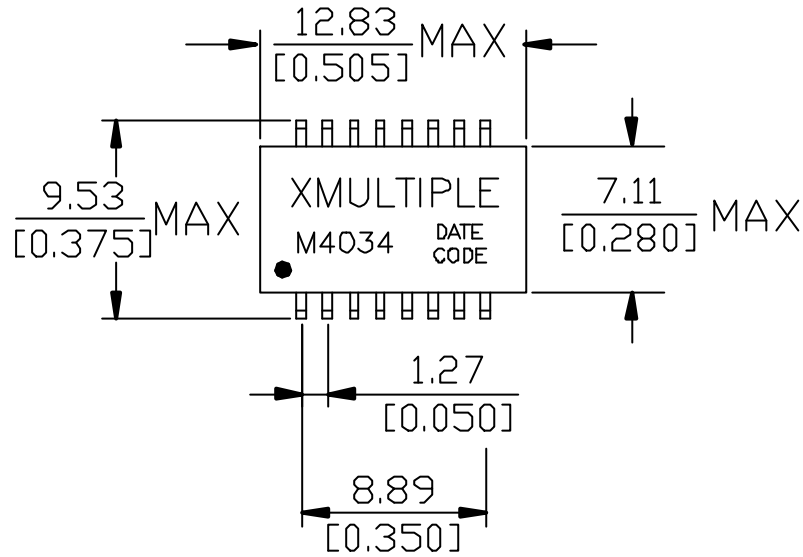
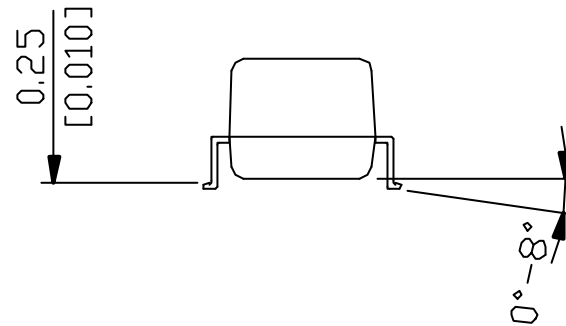
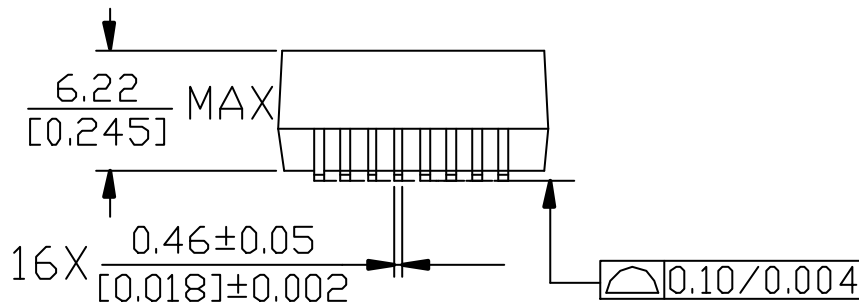


MECHANICALS



SUGGESTED PAD LAYOUT



Dimensions: mm/Inches

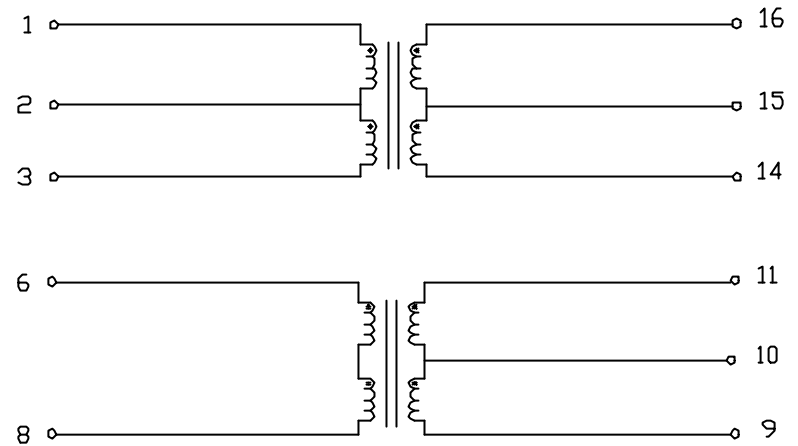
Unless otherwise specified, all tolerances are $\pm 0.10/0.25$

<h1>XMULTIPLE</h1>			CONNECTING THE INFORMATION AGE	
XMULTIPLE ASIA 4F, No. 347, Yang Guang St., Neihu City, Taipei, Taiwan 11473		XMULTIPLE USA 343 Country Club Drive #B 128 Sni Valley, CA 93065		CUSTOMER/NO:
THIS DRAWING IS A CONTROLLED DOCUMENT.				
TITLE: T1/CEPT/ISDN-PRI TRANSFORMERS			DWG NO: XTFZ-M4034	
PART NO: XTFZ-M4034			DRAWN: JEFF	
			CHKD: FUTIEN	
			DIMENSIONS	SHEET
			Inch [mm]	1 of 2
			REV	01
			DATE:	30/04/04

TEST NOTES:(25±5°C)

1. TR:(100KHz,0.1V):
 PINS:(16-14):(1,3)=1:2±2%
 PINS:(6,8):(9,11)=1:1.36±2%
2. LX:(100KHz,100mV)
 PINS:(16,14),(6,8)=1.2mH MIN
3. DCR:
 PINS:(16,14),(6,8)=0.7 OHMS MAX
4. LL:
 PINS:(16-14 short 1-3)=0.6uH MAX
 PINS:(6-8 short 9-11)=0.6uH MAX
5. Cw/w:
 PINS:(1,2,3)TO (14,15,16)= 30pF MAX
 PINS:(6,8)TO (9,10,11) =30pF MAX

SCHEMATIC



XMULTIPLE		CONNECTING THE INFORMATION AGE	
XMULTIPLE ASIA 4F, No. 347, Yang Guang St., Neihu Chu, Taipei, Taiwan 11473		XMULTIPLE USA 343 Country Club Drive #8 128 Sini Valley, CA 93065	
THIS DRAWING IS A CONTROLLED DOCUMENT.		CUSTOMER/NO: XTFZ-M4034	
TITLE: T1/CEPT/ISDN-PRI TRANSFORMERS		DRAWN: JEFF	
PART NO: XTFZ-M4034		CHKD: FUTIEN	
	DIMENSIONS Inch [mm]	SHEET 1 of 2	REV 01
		DATE: 30/04/04	