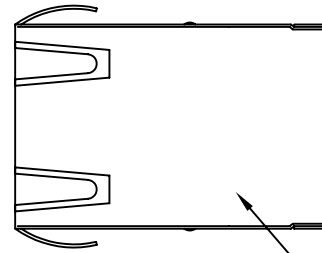
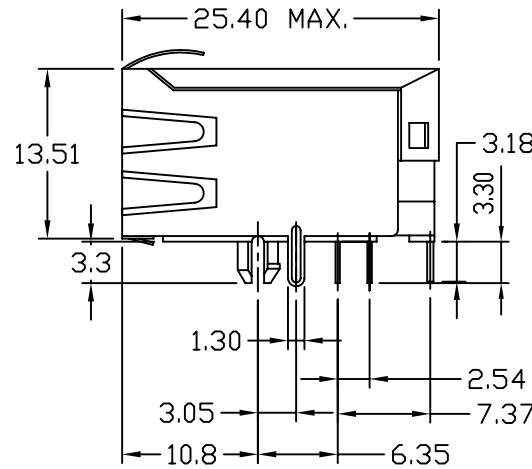
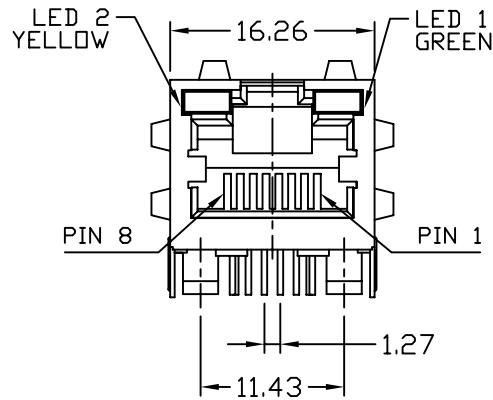


# 1. MECHANICAL DIMENSIONS :



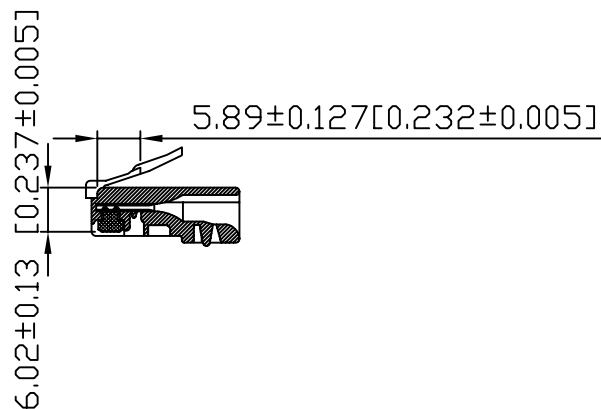
SHIELD LOGO  
(XMULTIPLE)



### NOTES:

- MATERIAL:  
HOUSING-PBT POLYESTER UL94V-0  
MIXED GLASS FIBER.  
STANDARD COLOR-BLACK  
CONTACTS-0.35mm THICK PHOS-BRONZE PLATED  
WITH 30u" GOLD AND TIN IN  
SOLDER AREA.  
SHIELD-0.20mm THICK COPPER ALLOY,  
PLATED WITH NICKEL.
- CAVITY CONFIRMS TO FCC RULES AND REGULATIONS  
PART 68,SUBPART F.
- UNSPECIFIED TOLERANCE: .XX ±0.25  
.X ±0.30

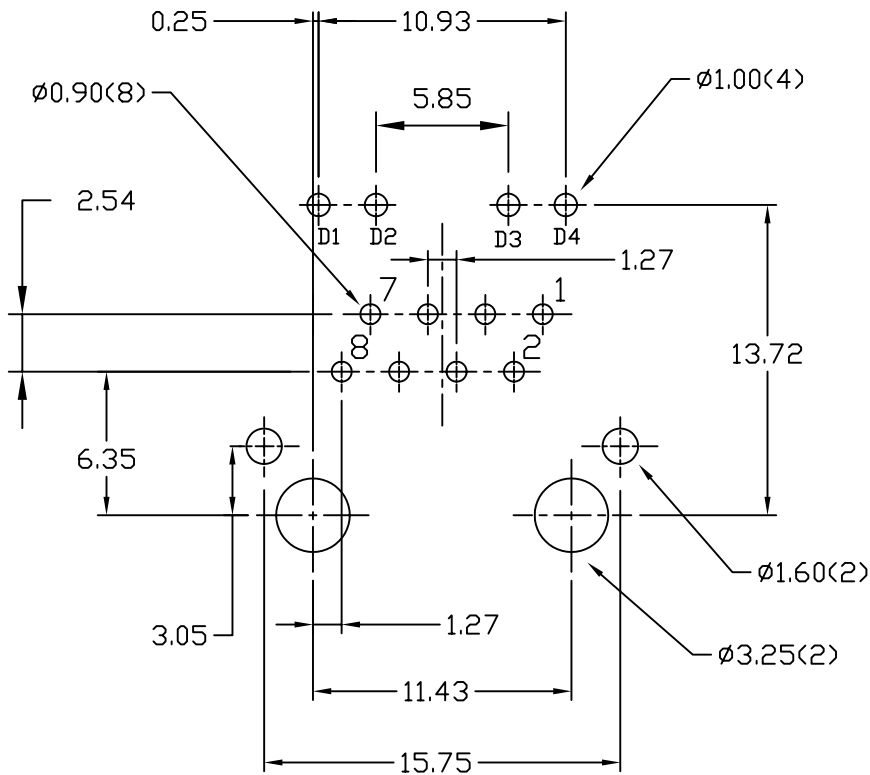
### RECOMMENED PLUG DIMENSION:



# RoHS Compliant

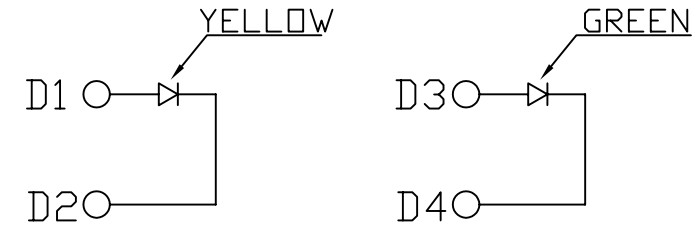
X MULTIPLE		CONNECTING THE INFORMATION AGE	
XMULTIPLE ASIA 4F, No. 347, Yang Guang St., Neihu Chu, Taipei, Taiwan 11475		XMULTIPLE USA 1420 Los Angeles Ave., Suite G, Simi Valley, CA 93065	
THIS DRAWING IS A CONTROLLED DOCUMENT.		G/NO:	
TITLE: RJ45, W/LED, with 10/100 Mbps Filter 8P,8C, Shielded, Thru Hole.		DWG NO: XRJH-01D-1-D12-170	
PART NO: XRJH-01D-1-D12-170		DRAWN: RUNES	
		CHKD: JEFF	
		DATE: Mar.23,06	
UNIT mm [inch]		SHEET 1 of 3	REV A

## 2. PCB LAYOUT :



SUGGESTED PCB LAYOUT  
(TOP VIEW)

## 3. LED CONFIGURATION :

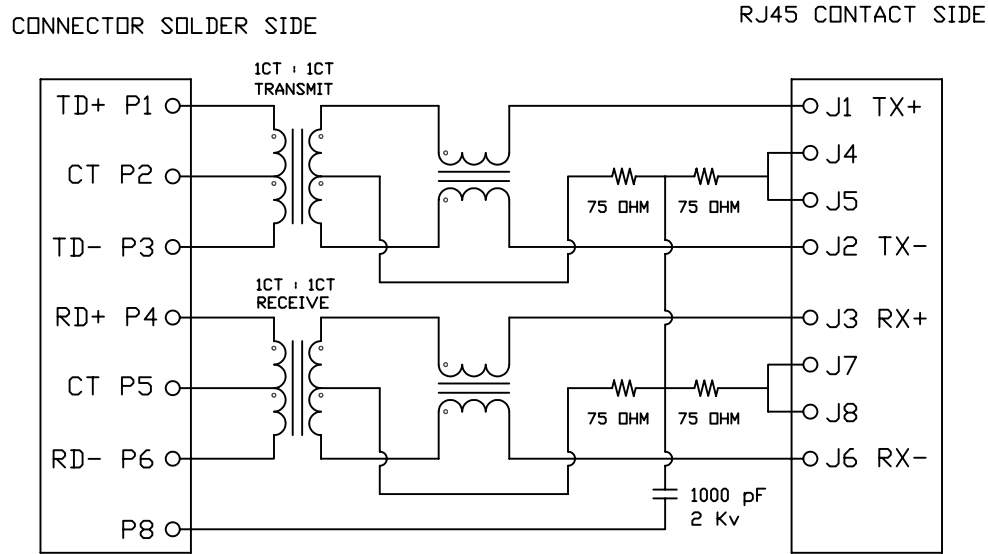


Color	Lens Color	Vf(v) @20mA		Iv(mcd) @10mA		Viewing angle
		Min	Max	Min	Typ	
Yellow	Yellow Diffused	1.7	2.8	3.0	6.0	2θ 1/2
Green	Green Diffused	1.7	2.8	3.5	6.0	116

# RoHS Compliant

		CONNECTING THE INFORMATION AGE		
				X MULTIPLE ASIA 4F, No. 347, Yang Guang St., Neihu Chu, Taipei, Taiwan 11475
THIS DRAWING IS A CONTROLLED DOCUMENT.				DWG NO: XRJH-01D-1-D12-170
TITLE: RJ45, W/LED, with 10/100 Mbps Filter 8P,8C, Shielded, Thru Hole.				DRAWN: RUNES
PART NO: XRJH-01D-1-D12-170				CHKD: JEFF
		UNIT mm [inch]	SHEET 2 of 3	REV A
DATE: Mar.23,06				

# 4. SCHEMATIC :



# 5. ELECTRICAL CHARACTERISTICS :

TEST NOTES:( $25 \pm 5^\circ\text{C}$ )

1.TR:(100KHz,0.1V);

PINS:(P1-P3):(J1-J2)= $1:1 \pm 3\%$

PINS:(P4-P6):(J3-J6)= $1:1 \pm 3\%$

2.LX:(100KHz,100mV,8mA, DC Bias)

PINS: (P1,P3),(P4,P6)=350uH MINIMUM

3.DCR:

PINS:(P1-P3),(J1-J2),(J3-J6)= 1.0 OHMS MAXIMUM

PINS:(P4-P6)=1.2 OHMS MAXIMUM

4.HIPOT:

PINS(P1,P2,P3)TO(J1,J2)=1500VAC FOR 60 SECONDS

PINS(P4,P5,P6)TO(J3,J6)=1500VAC FOR 60 SECONDS

5.INSERTION LOSS:

-1.0dB MAXIMUM AT 0.3MHz TO 100MHz;

6.RETURN LOSS:

-20dB MINIMUM AT 1MHz TO 30MHz;

-15dB MINIMUM AT 30MHz TO 60MHz

-10dB MINIMUM AT 60MHz TO 80MHz

7.CROSS TALK:

-30dB MINIMUM AT 1MHz TO 100MHz

8.COMMON TO COMMON MODE REJECTION:

-30dB MINIMUM AT 1MHz TO 100MHz

## XRJH-01D-1-D12-170

PRODUCT SERIES  
H : TAB UP AND STACKED

NUMBER OF PORTS  
MECHANICAL TYPE  
01D : XRJH 1 PORT, LENGTH=25.4mm,  
STAGGERED PINS

LED COLOR OPTION

PROTOCOL TYPE  
D : 10/100 Mbps, 4 CORE

SPECIAL CODE

SHIELDED TYPE  
7 : EMI FINGER ON ALL SIDE

LED POLARITY  
1 : +-, +-

CIRCUIT TYPE

# RoHS Compliant

X MULTIPLE		CONNECTING THE INFORMATION AGE	
X MULTIPLE ASIA 4F, No. 347, Yang Guang St., Neihu Chu, Taipei, Taiwan 11475		X MULTIPLE USA 1420 Los Angeles Ave., Suite G, Simi Valley, CA 93065	
THIS DRAWING IS A CONTROLLED DOCUMENT.		DWG NO: XRJH-01D-1-D12-170	
TITLE: RJ45, W/LED, with 10/100 Mbps Filter 8P,8C, Shielded, Thru Hole.		DRAWN: RUNES	
PART NO: XRJH-01D-1-D12-170		CHKD: JEFF	
		UNIT mm [inch]	SHEET 3 of 3
		REV A	DATE: Mar.23,06