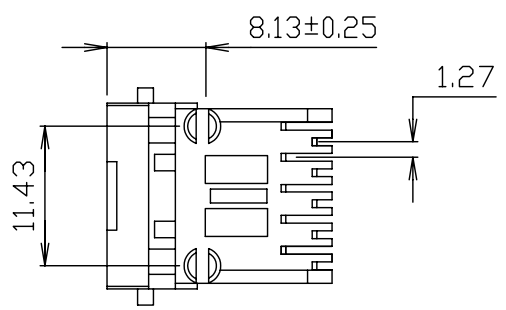
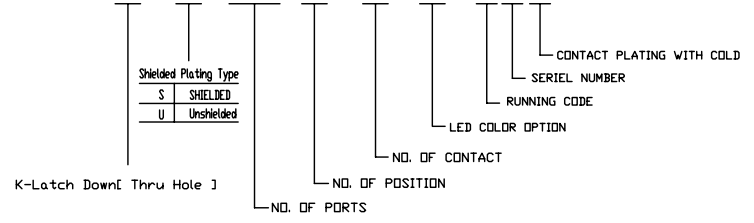


SUGGESTED PCB LAYOUT  
TOP VIEW

XRJK-S-01-A-A-0-9A1



NOTES:

- MATERIAL: HOUSING-PBT POLYESTER UL94V-0  
MIXED GLASS FIBER,  
STANDARD COLOR-BLACK  
TERMINAL-0.35mm THICK PHOS-BORNZE  
PLATED WITH 15u" GOLD AND  
TIN IN SOLDER AREA.  
SHIELD-0.25mm THICK COPPER ALLOY,  
PLATED WITH NICKEL.
- CAVITY CONFIRMS TO FCC RULES AND REGULATIONS  
PART 68,SUBPART F.
- UNSPECIFIED TOLERANCE: .XX ±0.25[0.010]  
.X ±0.30[0.012]

# RoHS Compliant

<b>X</b> MULTIPLE		CONNECTING THE INFORMATION AGE	
XMULTIPLE ASIA 4F, No. 347, Yang Guang St., Neihu Chiu, Taipei, Taiwan 11475		XMULTIPLE USA 1420 Los Angeles Ave., Suite G, Simi Valley, CA 93065	
THIS DRAWING IS A CONTROLLED DOCUMENT.		G/NO:	
TITLE: RJ45 Connectors, W/D LED, 10P, 10C, Shielded, Thru-Hole		DWG NO: XRJK-S-01-A-A-0-9A1	
PART NO: XRJK-S-01-A-A-0-9A1		DRAWN: AGGIE	
		CHKD: JEFF	
UNIT: mm [Inch]		SHEET: 1 of 1	
SHEET: 1 of 1		REV: 01	
DATE: 22/09/05			