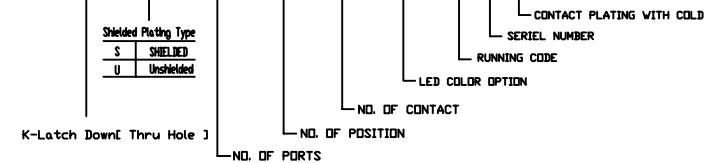


SUGGESTED PCB LAYOUT  
TOP VIEW

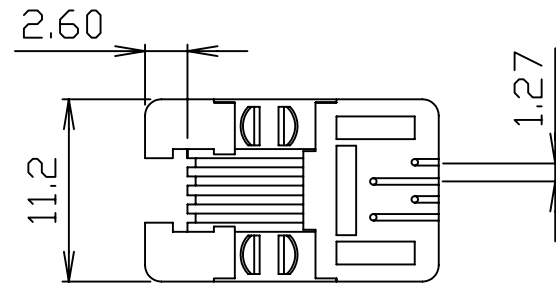
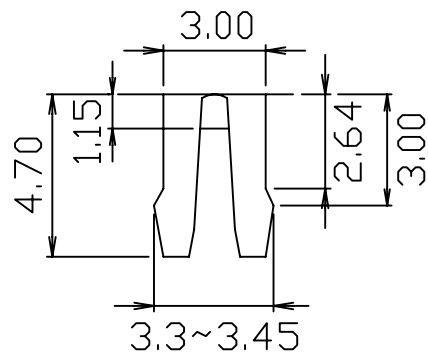
XRJK-U-01-4-4-0-9L3

Shielded Plating Type	
S	SHIELDED
U	Unshielded



RoHS Compliant

DETAIL X



NOTES :

- MATERIAL:  
HOUSING-PBT POLYESTER UL94V-0  
MIXED GLASS FIBER.  
STANDARD COLOR-BLACK  
CONTACTS-0.45mm DIAMETER PHOS-BRONZE  
PLATED WITH 50u" GOLD.
- CAVITY CONFIRMS TO FCC RULES AND REGULATIONS  
PART 68,SUBPART F.
- UNSPECIFIED TOLERANCE: .XX ±0.25[0.010]  
.X ±0.30[0.012]

X MULTIPLE USA 1420 Los Angeles Ave., Suite G, Simi Valley, CA 93065		G/ND:	
THIS DRAWING IS A CONTROLLED DOCUMENT.			
TITLE: RJ11 CONNECTORS, w/o LED, 4P,4C, UNSHIELDED, THRU-HOLE		DWG NO: XRJK-U-01-4-4-0-9L3	
PART NO: XRJK-U-01-4-4-0-9L3		DRAWN: TARA	
		UNIT: mm[inch]	
SHEET: 1 of 1		REV: 01	
DATE: Nov.28,05		CHKD: JEFF	