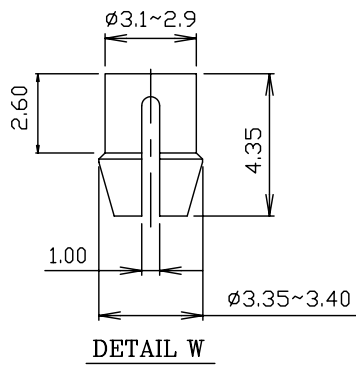
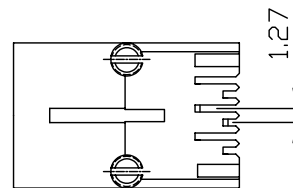


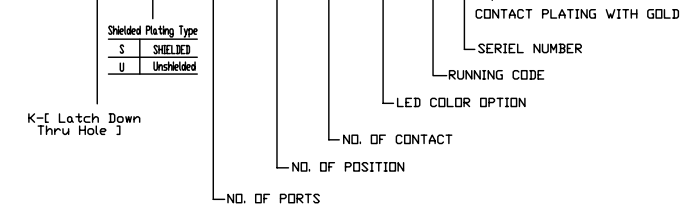
SUGGESTED PCB LAYOUT  
TOP VIEW



DETAIL W



XRJK-U-01-6-2-0-9U3



NOTES:

1. MATERIALS:

HOUSING-PBT POLYESTER UL94V-0  
MIXED GLASS FIBER.  
STANDARD COLOR-BLACK  
TERMINAL-0.35mm THICK PHOS-BRONZE  
PLATED WITH 50u" GOLD AND  
TIN IN SOLDER AREA.

2. JACK CAVITY CONFIRMS TO FCC RULES AND REGULATIONS  
PART 68,SUBPART F.

3. UNSPECIFIED TOLERANCE: .XX ±0.25[0.010]  
.X ±0.30[0.012]

RoHS Compliant

X MULTIPLE		CONNECTING THE INFORMATION AGE	
XMULTIPLE ASIA 4F, No. 347, Yang Guang St., Neihu Chu, Taipei, Taiwan 11475		XMULTIPLE USA 1420 Los Angeles Ave., Suite G, Sni Valley, CA 93065	
THIS DRAWING IS A CONTROLLED DOCUMENT.		G/ND:	
TITLE: RJ11 Connectors, w/O LED, 6P,2C, Unshielded, Thru-Hole		DWG NO: XRJK-U-01-6-2-0-9U3	
PART NO: XRJK-U-01-6-2-0-9U3		DRAWN: RUNES	
		CHKD: JEFF	
UNIT mm[inch]		SHEET 1 of 1	
REV 01		DATE: Dec.27,05	