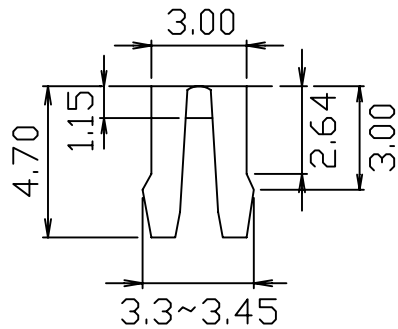
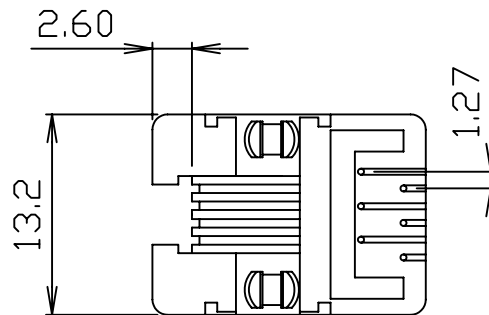


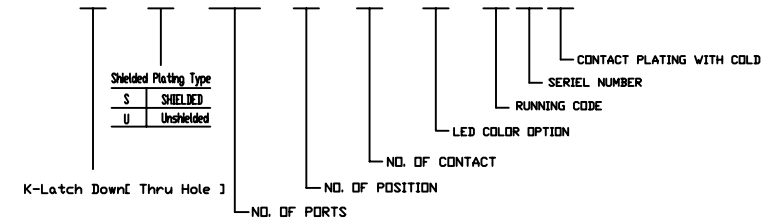
SUGGESTED PCB LAYOUT
TOP VIEW



DETAIL X



XRJK-U-01-6-6-0-9L3



NOTES :

- MATERIAL:
HOUSING-PBT POLYESTER UL94V-0
MIXED GLASS FIBER.
STANDARD COLOR-BLACK
CONTACTS-0.45mm DIAMETER PHOS-BRONZE
PLATED WITH 50u" GOLD.
- CAVITY CONFIRMS TO FCC RULES AND REGULATIONS
PART 68,SUBPART F.
- UNSPECIFIED TOLERANCE: .XX ±0.25[0.010]
.X ±0.30[0.012]

RoHS Compliant

X MULTIPLE		CONNECTING THE INFORMATION AGE	
X MULTIPLE ASIA 4F, No. 347, Yang Guang St., Neihu Chu, Taipei, Taiwan 11475		X MULTIPLE USA 1420 Los Angeles Ave., Suite G, Simi Valley, CA 93065	
THIS DRAWING IS A CONTROLLED DOCUMENT.		G/ND:	
TITLE: RJ11 CONNECTORS, w/o LED, 6P,6C, UNSHIELDED, THRU-HOLE		DWG NO: XRJK-U-01-6-6-0-9L3	
PART NO: XRJK-U-01-6-6-0-9L3		DRAWN: TARA	
		CHKD: JEFF	
		DATE: Nov.28,05	
UNIT mm[inch]	SHEET 1 of 1	REV 01	