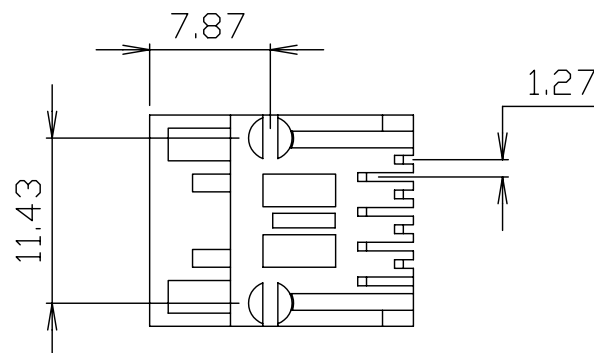
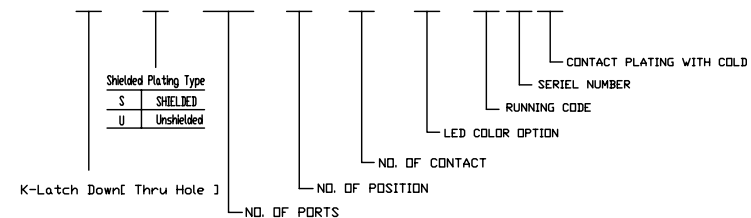


SUGGESTED PCB LAYOUT
TOP VIEW



XRJK-U-01-8-8-0-9B1



NOTES :

1. MATERIALS:

HOUSING- PBT POLYESTER UL94V-0
MIXED GLASS FIBER.
STANDARD COLOR-BLACK
CONTACTS-0.35mm THICK PHOS-BRONZE
PLATED WITH 15u" GOLD AND
TIN IN SOLDER AREA.

2. CAVITY CONFIRMS TO FCC RULES AND REGULATIONS
PART 68,SUBPART F.

3. UNSPECIFIED TOLERANCE: .XX ±0.25
.X ±0.30

RoHS Compliant

X MULTIPLE		CONNECTING THE INFORMATION AGE	
MULTIPLE ASIA 4F, No. 347, Yang Guang St., Neihu Chu, Taipei, Taiwan 11475		MULTIPLE USA 1420 Los Angeles Ave., Suite G, Simi Valley, CA 93065	
THIS DRAWING IS A CONTROLLED DOCUMENT.		G/ND:	
TITLE: RJ45 Connectors, W/O LED, 8P,8C, Unshielded, Thru-Hole		DWG NO: XRJK-U-01-8-8-0-9B1	
PART NO: XRJK-U-01-8-8-0-9B1		DRAWN: TARA	
UNIT mm[inch]		SHEET 1 of 1	
REV 01		CHKD: JEFF	
DATE: Dec.05,05			