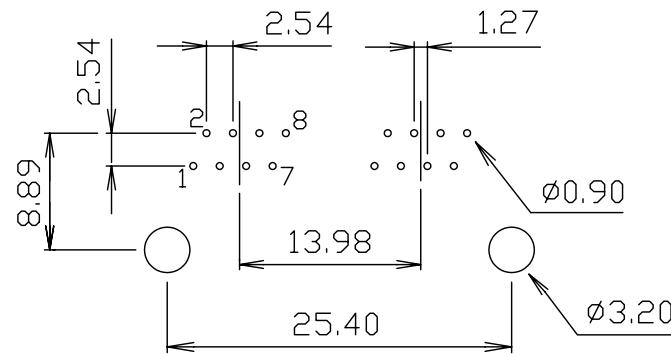
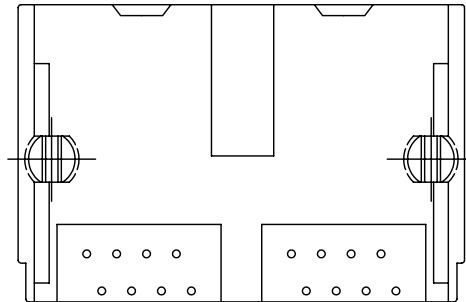
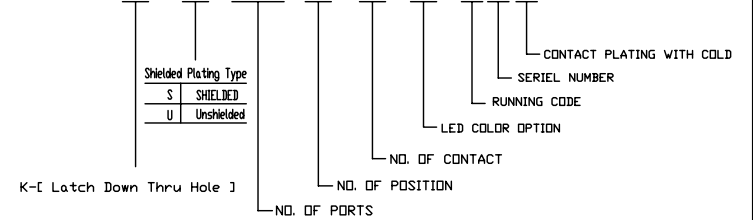


SPLIT-PEGS



SUGGESTED PCB LAYOUT  
(TOP VIEW)

XRJK-U-02-8-8-0-9J1



NOTES:

- MATERIAL:  
HOUSING-PBT POLYESTER UL94V-0  
MIXED GLASS FIBER.  
STANDARD COLOR-BLACK  
CONTACTS-0.45mm DIAMETER PHOS-BRONZE  
PLATED WITH 15u" GOLD.
- CAVITY CONFIRMS TO FCC RULES AND REGULATIONS  
PART 68,SUBPART F.
- UNSPECIFIED TOLERANCE: .XX ±0.13[0.005]  
.X ±0.25[0.010]

# RoHS Compliant

<b>X</b> MULTIPLE		CONNECTING THE INFORMATION AGE	
MULTIPLE ASIA 4F, No. 347, Yang Guang St., Neihu Chu, Taipei, Taiwan 11475		MULTIPLE USA 1420 Los Angeles Ave., Suite G, Simi Valley, CA 93065	
THIS DRAWING IS A CONTROLLED DOCUMENT.		G/ND:	
TITLE: RJ45 Connectors, w/O LED, 8P, 8C, Unshielded, Thru-Hole		DWG NO: XRJK-U-02-8-8-0-9J1	
PART NO: XRJK-U-02-8-8-0-9J1		DRAWN: LEON	
		CHKD: JEFF	
UNIT: mm[inch]		SHEET: 1 of 1	
REV: 02		DATE: Nov.25,05	