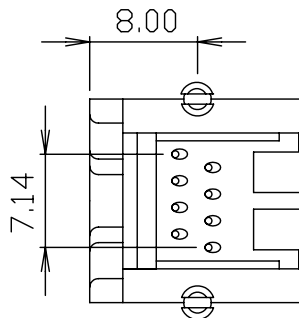
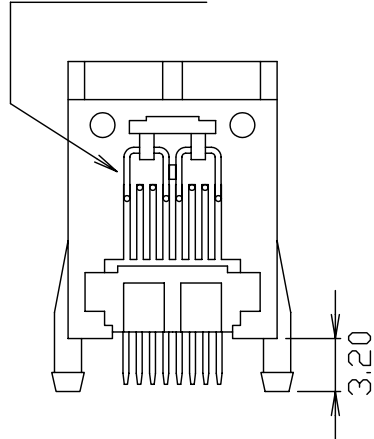
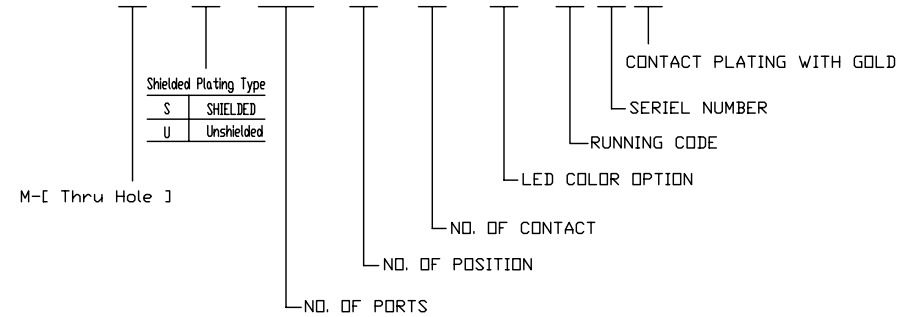


SUGGESTED PCB LAYOUT  
TOP VIEW

SHORTING BUSS



XRJM-U-01-8-8-0-9K1



NOTES:

1. MATERIALS:

HOUSING-NYLON66 POLYESTER UL94V-0  
MIXED GLASS FIBER.  
STANDARD COLOR-BLACK  
CONTACTS & SHORTING BUSS-0.45mm DIA. ROUND  
PHOS-BRONZE, PLATED WITH 15u" GOLD.

2. CAVITY CONFIRMS TO FCC RULES AND REGULATIONS  
PART 68,SUBPART F.

3. UNSPECIFIED TOLERANCE: .XX ±0.25[0.010]  
.X ±0.30[0.012]

RoHS Compliant

		CONNECTING THE INFORMATION AGE	
XMULTIPLE ASIA 4F, No. 347, Yang Guang St., Neihu Chu, Taipei, Taiwan 11475		XMULTIPLE USA 1420 Los Angeles Ave., Suite G, Syl Valley, CA 93065	
THIS DRAWING IS A CONTROLLED DOCUMENT.		G/ND:	
TITLE: RJ45 Connectors, W/O LED, 8P,8C, UnShielded, Thru-Hole		DWG NO: XRJM-U-01-8-8-0-9K1	
PART NO: XRJM-U-01-8-8-0-9K1		DRAWN: LEON	
		CHKD: JEFF	
UNIT: mm[inch]		SHEET: 1 of 1	
REV: 01		DATE: Jan.16,06	