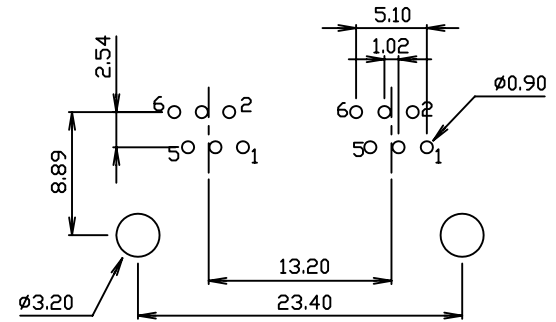
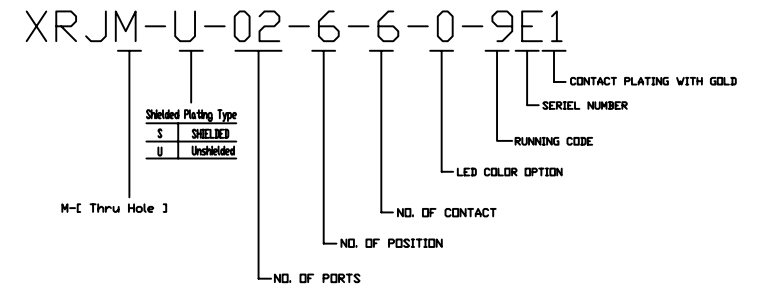
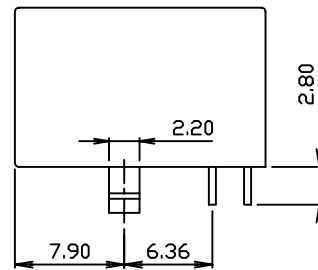
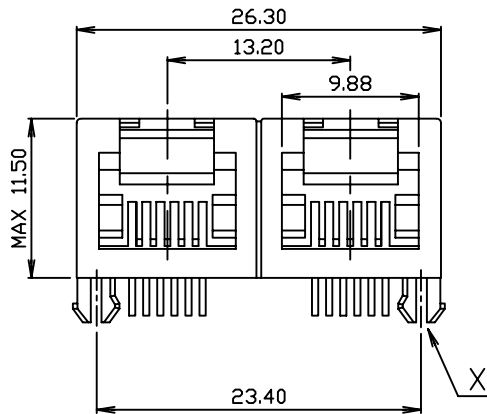


**DETAIL X**



**SUGGESTED PCB LAYOUT  
TOP VIEW**



**NOTES:**

- MATERIALS:  
HOUSING-PBT POLYESTER UL94V-0  
MIXED GLASS FIBER.  
STANDARD COLOR-BLACK  
CONTACTS-0.45mm DIM. PHOS-BRONZE PLATED  
WITH 15u" GOLD.
- CAVITY CONFIRMS TO FCC RULES AND REGULATIONS  
PART 68,SUBPART F.
- UNSPECIFIED TOLERANCE: .XX ±0.25[0.005]  
.X ±0.30[0.010]

**RoHS Compliant**

<b>X MULTIPLE</b>		CONNECTING THE INFORMATION AGE	
<small>XMULTIPLE ASIA 4F, No. 347, Yong Guang St., Neihu Chiu, Taipei, Taiwan 11475</small>		<small>XMULTIPLE USA 1420 Los Angeles Ave., Suite G, Simi Valley, CA 93065</small>	
THIS DRAWING IS A CONTROLLED DOCUMENT.		G/NO:	
TITLE: 2 PORTS 6POSITION L/P SIDE ENTRY PCB GANGED JACK		DWG NO: XRJM-U-02-6-6-0-9E1	
PART NO: XRJM-U-02-6-6-0-9E1		DRAWN: LEON	
		CHKD: JEFF	
UNIT: mm[inch J]		DATE: Jan.17,06	
SHEET: 1 of 1		REV: 01	