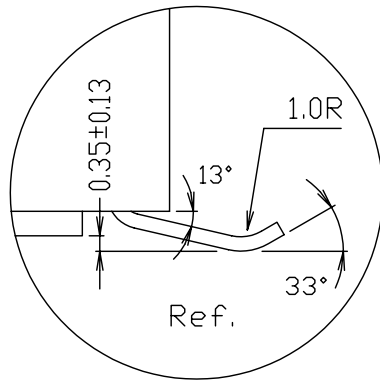
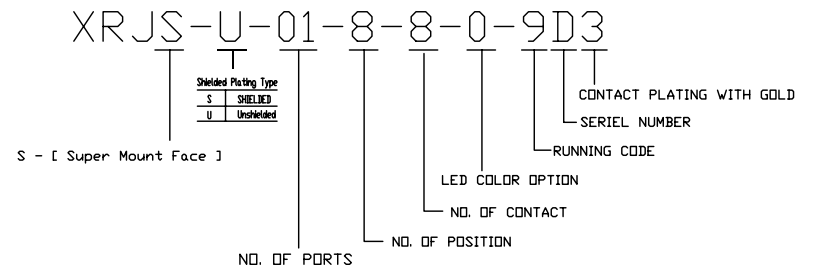
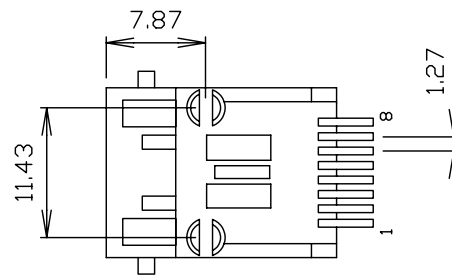


SUGGESTED PCB LAYOUT
TOP VIEW



DETAIL X



NOTES:

MATERIAL: HOUSING-PBT POLYESTER UL-94V-0
MIXED GLASS FIBER.
STANDARD COLOR-BLACK
CONTACTS-0.35mm THICK PHOS-BRONZE
PLATED WITH 50μ" GOLD AND
TIN IN SOLDER AREA.

CAVITY CONFIRMS TO FCC RULES AND REGULATIONS
PART 68,SUBPART F.

UNSPECIFIED TOLERANCE: .XX ±0.25[0.010]
.X ±0.30[0.012]

RoHS Compliant

X MULTIPLE		CONNECTING THE INFORMATION AGE	
XMULTIPLE ASIA 4F, No. 347, Yong Guang St., Neihu Chiu, Taipei, Taiwan 11475		XMULTIPLE USA 1402 Los Angeles Ave., Suite G, Simi Valley, CA 93065	
THIS DRAWING IS A CONTROLLED DOCUMENT.			
TITLE: RJ45 Connectors, w/O LED, 8P,8C, Unshielded, SMT Type		G/NO: XRJS-U-01-8-8-0-9D3	
PART NO: XRJS-U-01-8-8-0-9D3		DRAWN: AUSTIN	
		CHKD: JEFF	
		DATE: Jan.13,06	
UNIT mm[inch]	SHEET 1 of 1	REV 01	