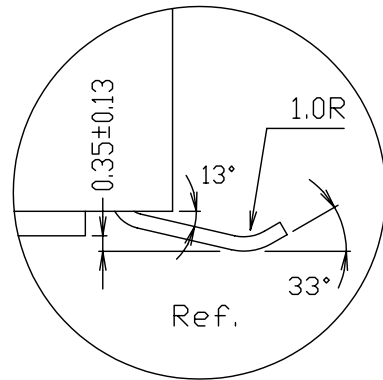
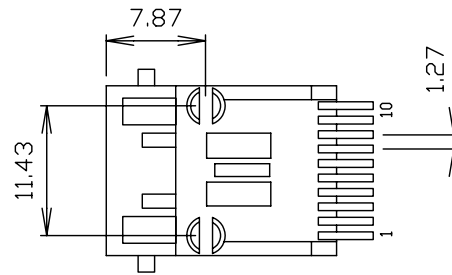


SUGGESTED PCB LAYOUT
TOP VIEW



DETAIL X



XRJS-U-01-A-A-0-9D3

Shielded Plating Type
S SHIELDED
U Unshielded

S - [Super Mount Face]

CONTACT PLATING WITH GOLD
SERIAL NUMBER
RUNNING CODE
LED COLOR OPTION
NO. OF CONTACT
NO. OF POSITION
NO. OF PORTS

NOTES:

MATERIAL: HOUSING-PBT POLYESTER UL-94V-0
MIXED GLASS FIBER.
STANDARD COLOR-BLACK
CONTACTS-0.35mm THICK PHOS-BRONZE
PLATED WITH 50µ" GOLD AND
TIN IN SOLDER AREA.

CAVITY CONFIRMS TO FCC RULES AND REGULATIONS
PART 68,SUBPART F.

UNSPECIFIED TOLERANCE: .XX ±0.25[0.010]
.X ±0.30[0.012]

RoHS Compliant

X MULTIPLE		CONNECTING THE INFORMATION AGE	
XMULTIPLE ASIA 4F, No. 347, Yong Guang St., Neihu Chiu, Taipei, Taiwan 11475		XMULTIPLE USA 1402 Los Angeles Ave., Suite G, Simi Valley, CA 93065	
G/NO:		DWG NO: XRJS-U-01-A-A-0-9D3	
THIS DRAWING IS A CONTROLLED DOCUMENT.			
TITLE: RJ45 Connectors, w/O LED, 10P,10C, Unshielded, SMT Type		DRAWN: AUSTIN	
PART NO: XRJS-U-01-A-A-0-9D3		CHKD: JEFF	
		UNIT mm[inch]	REV 01
		SHEET 1 of 1	DATE: Jan.13,06