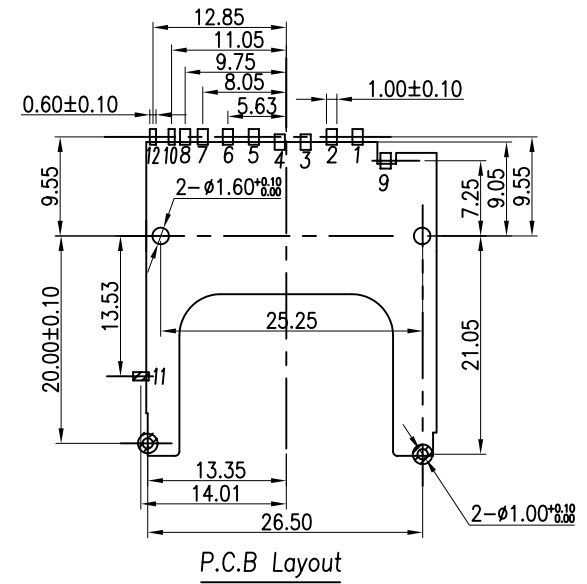
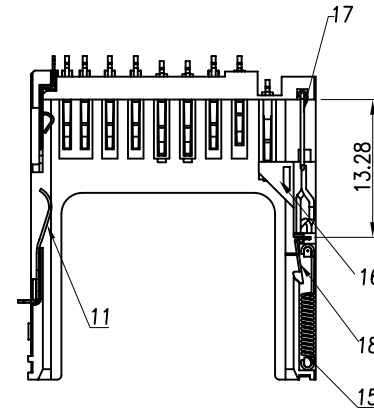
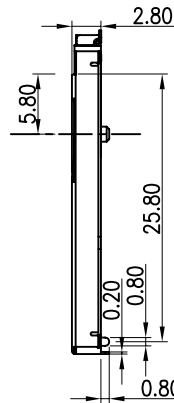
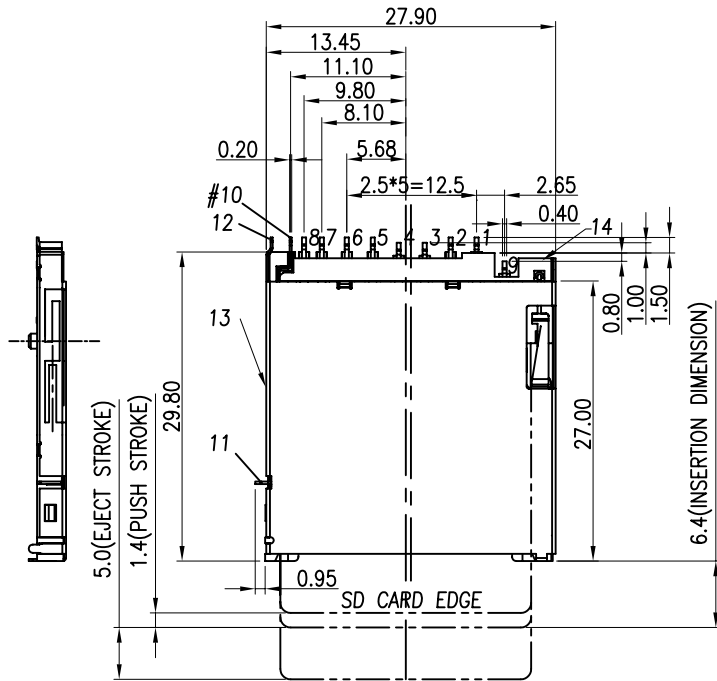
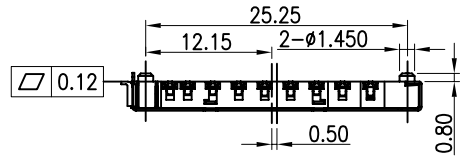
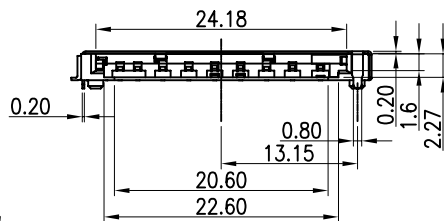


SD CARD PIN DESIGN

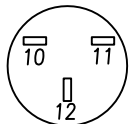


Pin No.	Name	Description
1#	CD/DAT3	Card detect/Data I/O
2#	CMD	Command
3#	VSS1	Ground
4#	VDD	Power
5#	CLK	Clock
6#	VSS2	Ground
7#	DAT0	Data I/O
8#	DAT1	Data I/O
9#	DAT2	Data I/O

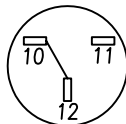
Pin No.	Name	Description
10#	Card Detect	
11#	Write Protect	
12#	Ground(Shell)	
13#	Shell	SUS304
14#	HSG	LCP
15#	Coil Spring	SUS
16#	Slider	NY9T+GF
17#	Slider Lock Pin	SUS
18#	Half Lock	SUS



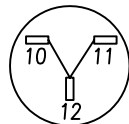
10--CARD DETECT PIN
11--WRITE PROTECT PIN
12--GROUND(SHELL)--COMMON PIN



WITHOUT CARD



CARD INSERTED
WRITE PROTCT:LOCK



CARD INSERTED
WRITE PROTECT:UNLOCK

NOTES:

- MATERIAL**
HOUSING: HIGH TEMPERATURE THERMOPLASTIC.
CONTACT: COPPER ALLOY.
SHELL: SUS
- PLATING**
CONTACT AREA: GOLD FLASH OVER Ni.
SOLDER TAIL: 100 u" MIN Sn/Pb PLATED OVER Ni.
SHELL SOLDER AREA: GOLD PLATED
- RATING**
CURRENT RATING: 0.5A
VOLTAGE RATING: 250VRMS
OPERATING TEMPERATURE: -25°C~90°C
- SPECIFICATION**
CONTACT RESISTANCE: 40 MillioHMS
DIELECTRIC WITHSTANDING VOLTAGE: 500VAC
INSULATION RESISTANCE: 100 MegOHMS
INSERTION FORCE: 40N MAX.
SEPARATION FORCE: 2N MIN.
- UNSPECIFIED TOLERANCE: .XX ±0.25**

<h1>X MULTIPLE</h1>		CONNECTING THE INFORMATION AGE
XMULTIPLE ASIA 4F, No. 347, Yang Guang St., Neihu Chiu, Taipei, Taiwan 11475		XMULTIPLE USA 1420 Los Angeles Ave., Suite G, Simi Valley, CA 93065
THIS DRAWING IS A CONTROLLED DOCUMENT.		CUSTOMER/NO:
TITLE: SECURE DIGITAL MEMORY CARD CONNECTOR, PUSH-PUSH TYPE		DWG NO: XSDC-1-09M1-KG00-10
PART NO: XSDC-1-09M1-KG00-10		DRAWN: NANCY
		CHKD: JEFF
DIMENSIONS mm[inch]		SHEET 1 of 1
REV A		DATE: 14/06/05