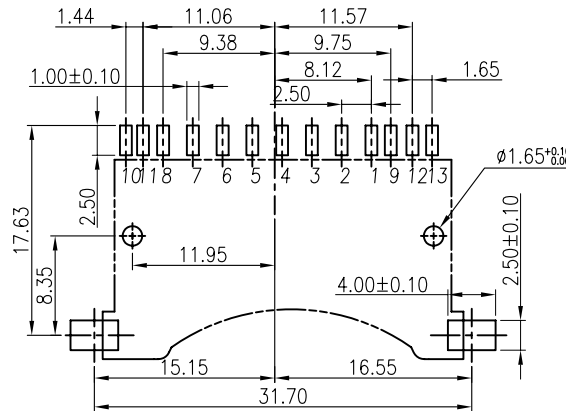
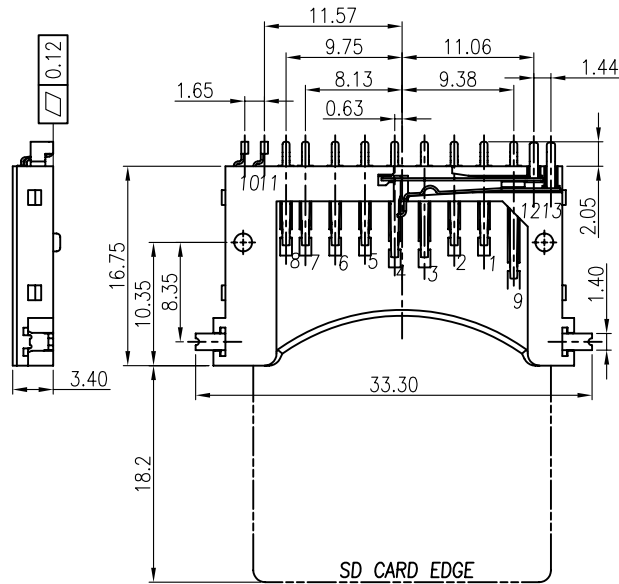
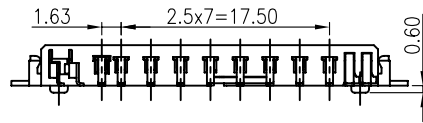
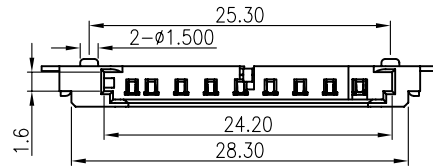


### SD CARD PIN DESIGN

Pin No.	Name	Description
1#	CD/DAT3	Card detect/Data I/O
2#	CMD	Command
3#	VSS1	Ground
4#	VDD	Power
5#	CLK	Clock
6#	VSS2	Ground
7#	DAT0	Data I/O
8#	DAT1	Data I/O
9#	DAT2	Data I/O

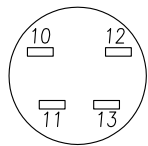


P.C.B Layout

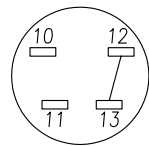


**NOTES:**

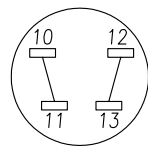
- MATERIAL**  
HOUSING: HIGH TEMPERATURE THERMOPLASTIC.  
CONTACT: COPPER ALLOY.  
SHELL: COPPER ALLOY.
- PLATING**  
CONTACT AREA: GOLD FLASH PLATED OVER Ni.  
SOLDER TAIL: 100 µ" MIN Sn/Pb PLATED OVER Ni.  
SHELL SOLDER AREA: GOLD PLATED OVER Ni.
- RATING**  
CURRENT RATING: 0.5A  
VOLTAGE RATING: 250VRMS  
OPERATING TEMPERATURE: -25°C~90°C
- SPECIFICATION**  
CONTACT RESISTANCE: 40 MillioHMS  
DIELECTRIC WITHSTANDING VOLTAGE: 500VAC MegOHMS  
INSULATION RESISTANCE: 100 MegOHMS  
INSERTION FORCE: 40N MAX.  
SEPARATION FORCE: 2N MIN.
- UNSPECIFIED TOLERANCE:**  
.XXX ±0.10  
.XX ±0.25  
.X ±0.38



WITHOUT CARD



CARD INSERTED  
WRITE PROTCT:LOCK



CARD INSERTED  
WRITE PROTECT:UNLOCK

- 10--WRITE PROTECT PIN 1
- 11--WRITE PROTECT PIN 2
- 12--CARD DETECT PIN 1
- 13--CARD DETECT PIN 2

<b>XMULTIPLE</b>		CONNECTING THE INFORMATION AGE	
XMULTIPLE ASIA 4F, No. 347, Yang Guang St., Neihu Chiu, Taipei, Taiwan 11475		XMULTIPLE USA 543 Country Club Drive #B 128 Simi Valley, CA 93085	
THIS DRAWING IS A CONTROLLED DOCUMENT.		CUSTOMER/NO:	
TITLE: SECURE DIGITAL MEMORY CARD CONNECTOR, NORMAL TYPE		DWG NO: XSDC-3-09M1-K000-10	
PART NO: XSDC-3-09M1-K000-10		DRAWN: ANNIE	
		CHKD: JEFF	
		DATE: 09/11/04	