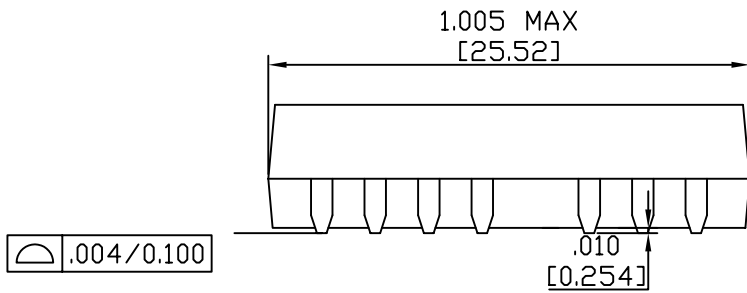
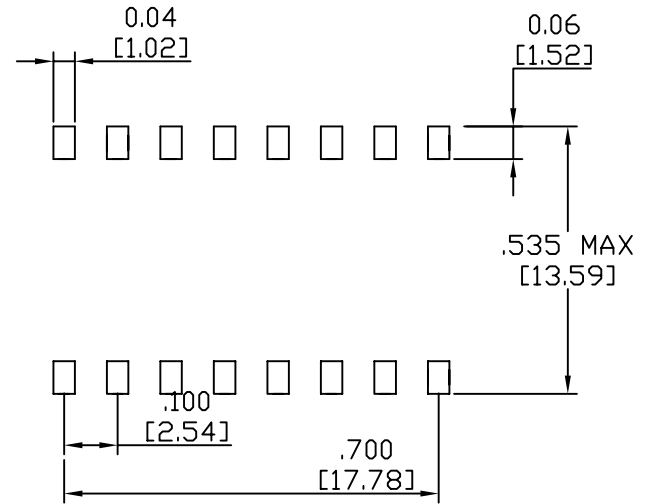
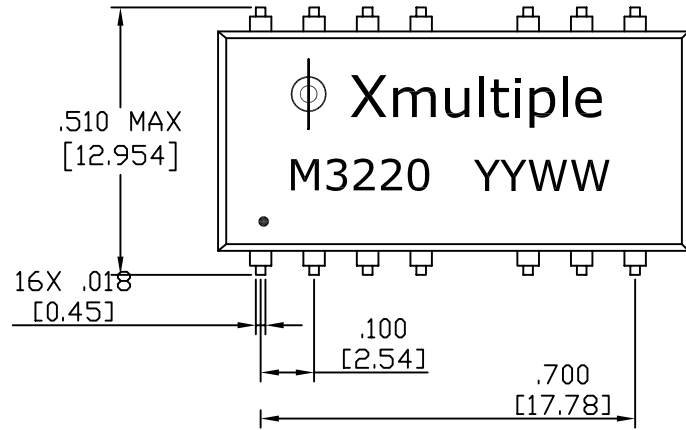
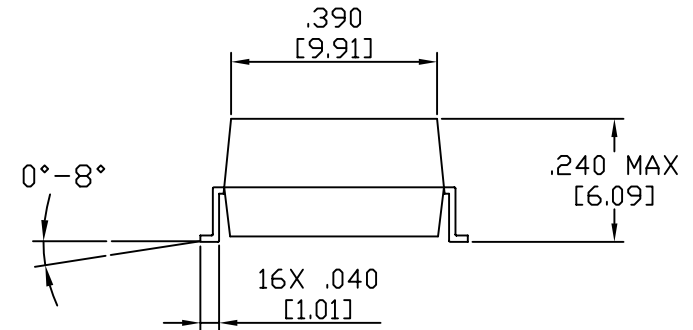


1. MECHANICAL DIMENSIONS :



16 SURFACES

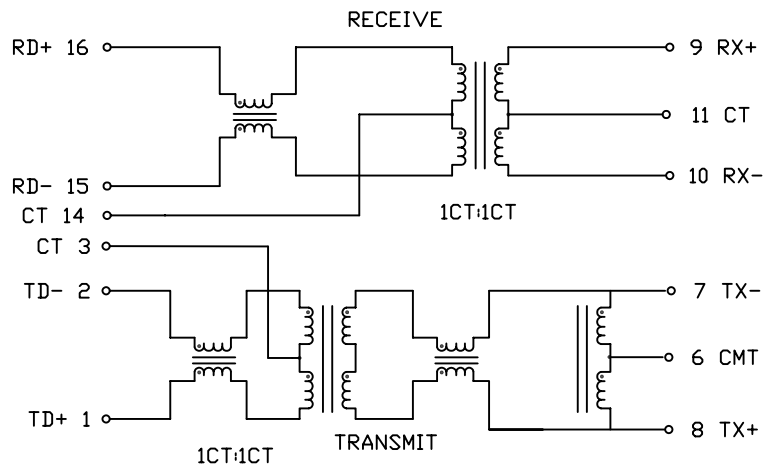


RoHS Compliant

Dimensions:Inch[mm] all tolerances:0.01[0.25]

X MULTIPLE		THE INFORMATION AGE	
XMULTIPLE ASIA 4F, No. 347, Yang Guang St., Neihu Chiu, Taipei, Taiwan 11475		XMULTIPLE USA 1420 Los Angeles Ave., Suite G, Simi Valley, CA 93065	
THIS DRAWING IS A CONTROLLED DOCUMENT.		G/NO:	
TITLE: 10/100 BASE-T SINGLE PORT TRANSFORMER MODULES WITH 1:1 TRANSMIT TURNS RATIOS		DWG NO: XTFZ-M3220	
PART NO: XTFZ-M3220		DRAWN: AUSTIN	
		CHKD: JEFF	
		DATE: May.05.06	
UNIT mm[inch]	SHEET 1 of 2	REV 02	

2. SCHEMATIC:



3. ELECTRICAL CHARACTERISTICS :

TEST NOTES: (25±5°C)

- 1.TR: (100KHz,0.1V);
 PINS: (16,15):(9,10)=1:1±3%
 PINS: (2,1):(7,8)=1:1±3%
- 2.LX: (100KHz,100mV,8mA, DC Bias)
 PINS: (9,10),(7,8)=350uH MIN
- 3.DCR:
 PINS: (16,15),(2,1)=1.2 OHMS MAX
 PINS: (9,10),(7,8)=1.0 OHMS MAX
- 4.HIPOT:
 PINS: (1,3,2)TO(7,6,8)=1500VAC FOR 60 SECONDS
 PINS: (16,14,15)TO(9,11,10)=1500VAC FOR 60 SECONDS
- 5.INSERTION LOSS:
 -1.0dB MAXIMUM AT 0.1MHz TO 100MHz;
- 6.RETURN LOSS:
 -18dB MINIMUM AT 1MHz TO 40MHz;
 -16dB MINIMUM AT 40MHz TO 50MHz;
 -15dB MINIMUM AT 50MHz TO 60MHz;
 -12dB MINIMUM AT 60MHz TO 80MHz
- 7.CROSS TALK:
 -50dB MINIMUM AT 1MHz TO 30MHz;
 -40dB MINIMUM AT 30MHz TO 60MHz;
 -40dB MINIMUM AT 60MHz TO 100MHz;
- 8.DIFFERENTIAL TO COMMON MODE REJECTION:
 -45dB MINIMUM AT 1MHz TO 30MHz;
 -40dB MINIMUM AT 30MHz TO 60MHz;
 -35dB MINIMUM AT 60MHz TO 100MHz

RoHS Compliant

X MULTIPLE		THE INFORMATION AGE	
XMULTIPLE ASIA 4F, No. 347, Yang Guang St., Neihu Chiu, Taipei, Taiwan 11475		XMULTIPLE USA 1420 Los Angeles Ave., Suite G, Simi Valley, CA 93065	
THIS DRAWING IS A CONTROLLED DOCUMENT.		G/NO:	
TITLE: 10/100 BASE-T SINGLE PORT TRANSFORMER MODULES WITH 1:1 TRANSMIT TURNS RATIOS		DWG NO: XTFZ-M3220	
PART NO: XTFZ-M3220		DRAWN: AUSTIN	
		CHKD: JEFF	
		DATE: May.05.06	
UNIT mm[inch]	SHEET 2 of 2	REV 02	