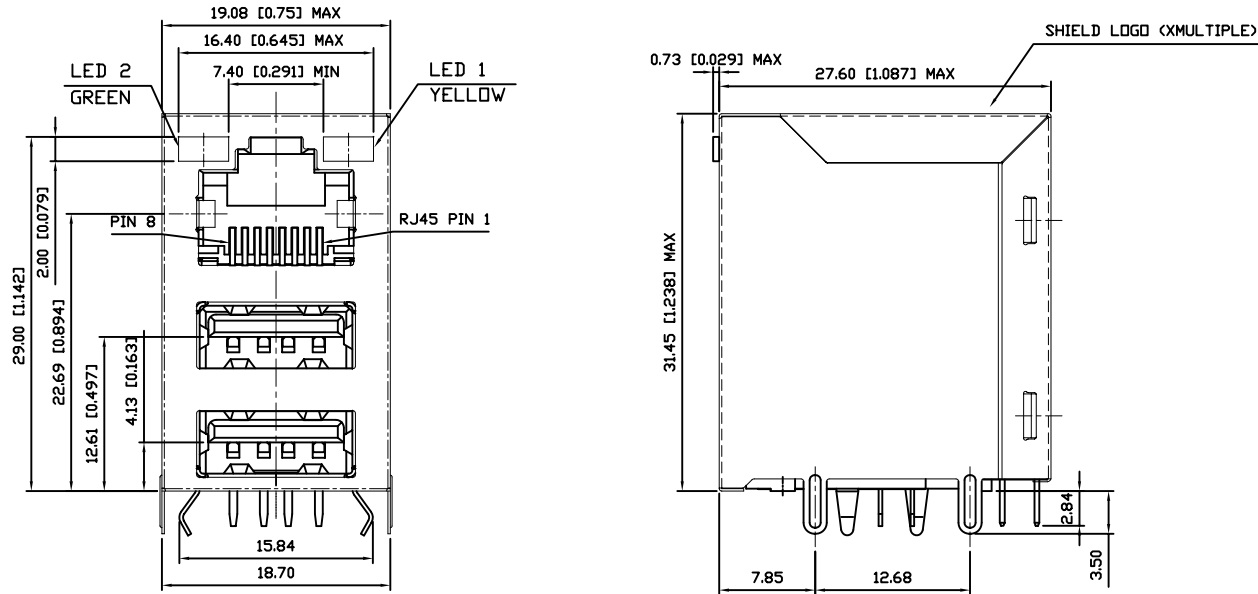


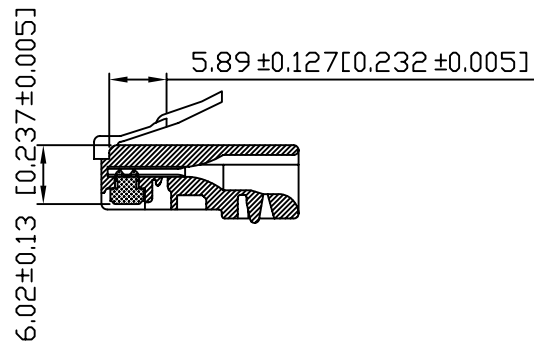
1. MECHANICAL DIMENSIONS :



NOTES:

- RJ45 MECHCNICAL:**
 PLASTIC HOUSING: THERMOPLASTIC PBT BLACK
 FLAMMABILITY RATINHG UL 94V-0
 FRONT CONTACT: PHOSPHER-BRONZE T=0.30mm±0.01
 30u" GOLD PLATING ON CONTACT AREA,
 WITH 100u" TIN PLATINTG ON SOLDER AREA.
 BACK CONTACT: BRASS T=0.40mm±0.01
 50u" NICKEL PLATING ON ALL AREA,
 WITH 100u" TIN PLATINTG ON SOLDER AREA.
 SHIELD: BRASS T=0.20mm±0.01
 NICKEL PLATING ON ALL AREA,
 SOLDERABILITY: PER MIL STD. 202, METHOD 208.
 DURABILITY: 750 MATING CYCLES MIN.
- USB MECHANICAL:**
 CONTACT: PHOSPHER-BRONZE T=0.25mm±0.01
 30" GOLD PLATING ON CONTACT AREA,
 OVER 50u" NICKEL PLATING ON ALL AREA,
 WITH 100u" TIN PLATINTG ON SOLDER AREA.
 SHIELD: BRASS T=0.30mm±0.01
 100u" TIN PLATINTG ON SOLDER AREA,
 NICKEL PLATING ON ALL AREA.
 MATING FORCE: 35 NEWTONS MAXIMUM
 UNMATING FORCE: 10 NEWTONS MINUTUM
 DURABILITY: 1500 MATING CYCLES MIN.
- UNSPECIFIED TOLERANCE:** .XX ±0.25[0.010]
 .X ±0.30[0.012]

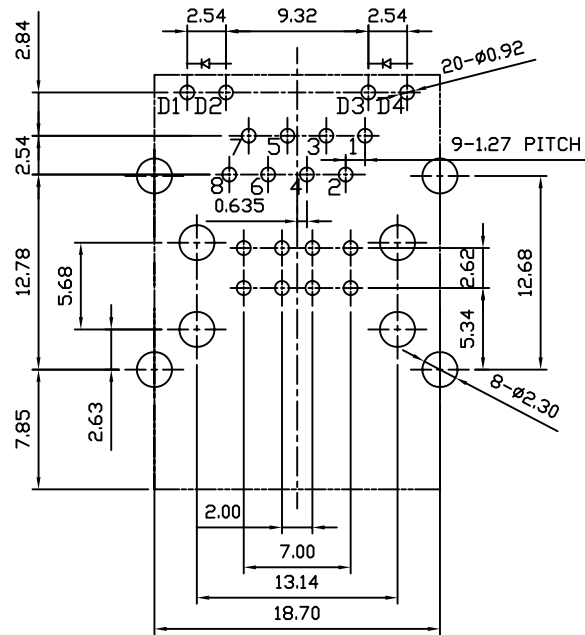
RECOMMENDED PLUG DIMENSION:



RoHS Compliant

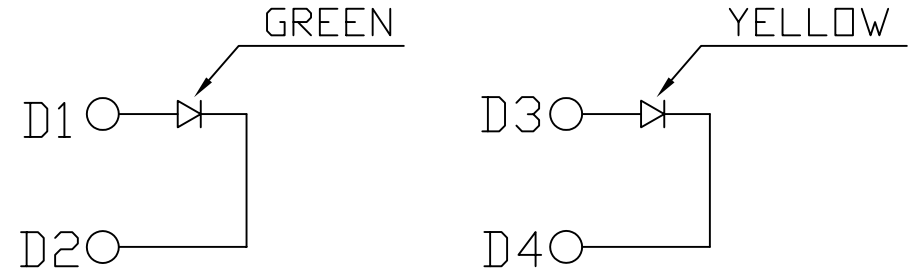
X MULTIPLE		CONNECTING THE INFORMATION AGE	
XMULTIPLE ASIA 4F, No. 347, Yang Guang St., Neihu Chiu, Taipei, Taiwan 11475		XMULTIPLE USA 1420 Los Angeles Ave., Suite G Simi Valley, CA 93065	
THIS DRAWING IS A CONTROLLED DOCUMENT.		G/NO:	
TITLE: SINGLE PORT, RJ45, SHIELDED, WITH LED WITH TRANSFORMER, SIDE ENTRY PCB JACK		DWG NO: XRJB-G70-4-EE1-180	
PART NO: XRJB-G70-4-EE1-180		DRAWN: AUSTIN	
		CHKD: JEFF	
		DATE: Apr.18,06	
UNIT	SHEET	REV	
mm[inch]	1 of 3	01	

2. PCB LAYOUT :



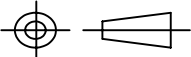
SUGGESTED PCB LAYOUT
(TOP VIEW)

3. LED CONFIGURATION :

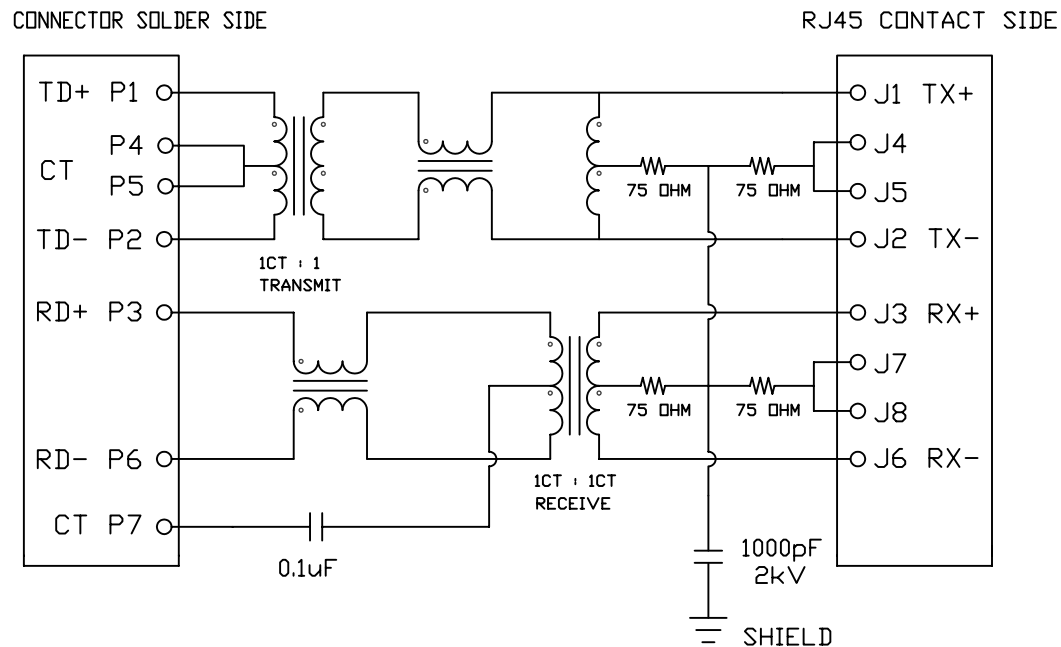


Color	Lens Color	Vf(v) @20mA		Iv(mcd) @10mA		Viewing angle 2θ 1/2
		Min	Max	Min	Typ	
Yellow	Yellow Diffused	1.7	2.8	3.0	6.0	116
Green	Green Diffused	1.7	2.8	3.5	6.0	116

RoHS Compliant

X MULTIPLE		CONNECTING THE INFORMATION AGE	
XMULTIPLE ASIA 4F, No. 347, Yang Guang St., Neihu Chiu, Taipei, Taiwan 11475		XMULTIPLE USA 1420 Los Angeles Ave., Suite G, Simi Valley, CA 93065	
THIS DRAWING IS A CONTROLLED DOCUMENT.		G/NO:	
TITLE: SINGLE PORT, RJ45, SHIELDED, WITH LED WITH TRANSFORMER, SIDE ENTRY PCB JACK		DWG NO: XRJB-G70-4-EE1-180	
PART NO: XRJB-G70-4-EE1-180		DRAWN: AUSTIN	
		UNIT mm [inch]	SHEET 2 of 3
		REV 01	DATE: Apr.18,06

4. SCHEMATIC:



XRJB-G70-4-EE1-180

PRODUCT SERIES
B : RJ45 OVER USB

MECHANICAL TYPE
G70 : RJ45 OVER DUAL USB
A TYPE, G7 SERIES

LED COLOR OPTION

PROTOCOL TYPE
E : 10/100 Mbps, 5 CORE

SPECIAL CODE

SHIELDED TYPE
8 : NON-EMI FINGER

LED POLARITY
1 : +-, +-

CIRCUIT TYPE

5. ELECTRICAL CHARACTERISTICS :

TEST NOTES:($25 \pm 5^\circ\text{C}$)

1.TR:(100KHz,0.1V);

PINS:(P1-P2):(J1-J2)= $1:1 \pm 3\%$

PINS:(P3-P6):(J3-J6)= $1:1 \pm 3\%$

2.LX:(100KHz,100mV,8mA, DC Bias)

PINS:(P1,P2),(P3,P6)=350uH MINIMUM

3.DCR:

PINS:(P1-P2),(J1-J2),(J3-J6)= 1.0 OHMS MAXIMUM

PINS:(P3-P6)=1.2 OHMS MAXIMUM

4.HIPOT:

PINS(P1,P4,P5,P2)TO(J1,J2)=1500VAC FOR 60 SECONDS

PINS(P3,P7,P6)TO(J3,J6)=1500VAC FOR 60 SECONDS

5.INSERTION LOSS:

-1.0dB MAXIMUM AT 0.3MHz TO 100MHz;

6.RETURN LOSS:

-20dB MINIMUM AT 1MHz TO 30MHz;

-15dB MINIMUM AT 30MHz TO 60MHz

-10dB MINIMUM AT 60MHz TO 80MHz

7.CROSS TALK:

-30dB MINIMUM AT 1MHz TO 100MHz

8.COMMON TO COMMON MODE REJECTION:

-30dB MINIMUM AT 1MHz TO 100MHz

RoHS Compliant

X MULTIPLE			CONNECTING THE INFORMATION AGE	
XMULTIPLE ASIA 4F, No. 347, Yang Guang St., Neihu Chiu, Taipei, Taiwan 11475		XMULTIPLE USA 1420 Los Angeles Ave., Suite G Simi Valley, CA 93065		G/NO:
THIS DRAWING IS A CONTROLLED DOCUMENT.				DWG NO: XRJB-G70-4-EE1-180
TITLE: SINGLE PORT, RJ45, SHIELDED, WITH LED WITH TRANSFORMER, SIDE ENTRY PCB JACK				DRAWN: AUSTIN
PART NO: XRJB-G70-4-EE1-180				CHKD: JEFF
		UNIT mm [inch]	SHEET 3 of 3	REV 01
DATE: Apr.18,06				