

1. MECHANICAL DIMENSIONS :

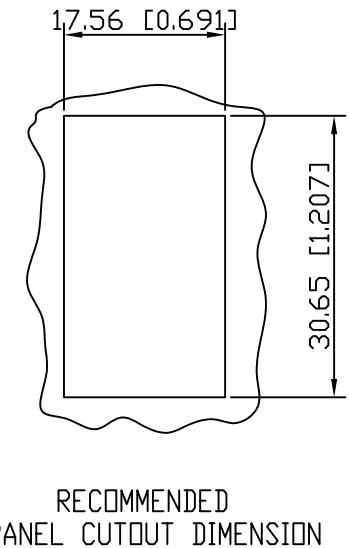
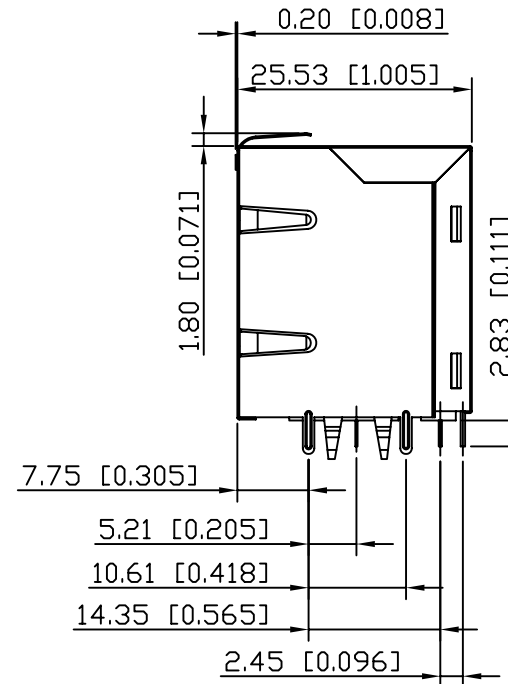
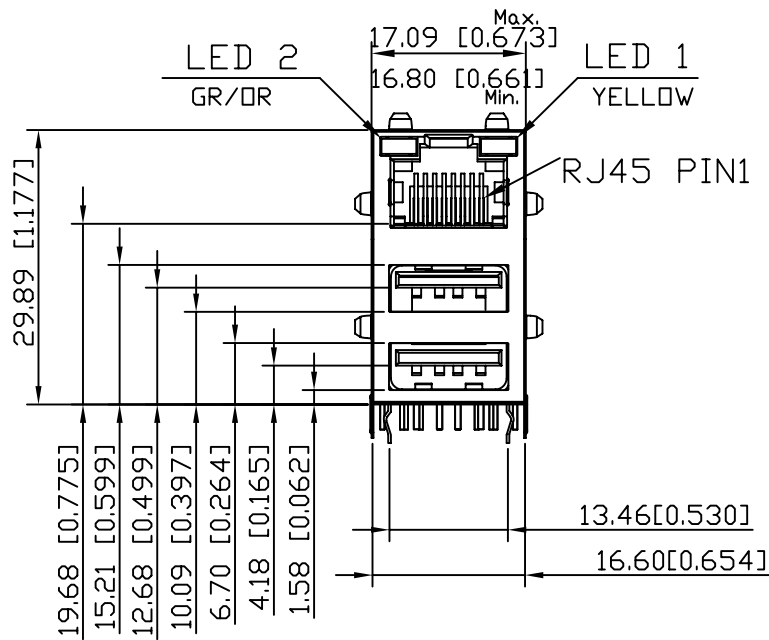
NOTES:

1. RJ45 MECHANICAL:

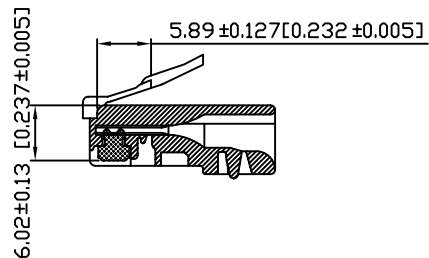
PLASTIC HOUSING: THERMOPLASTIC PBT BLACK
 FLAMMABILITY RATING UL 94V-0
 FRONT CONTACT: PHOSPHOR-BRONZE T=0.35mm±0.01
 30u" GOLD PLATING ON CONTACT AREA,
 OVER 50u" NICKEL PLATING ON ALL AREA,
 WITH 100u" TIN PLATING ON SOLDER AREA.
 BACK CONTACT: BRASS T=0.40mm±0.01
 50u" NICKEL PLATING ON ALL AREA,
 WITH 100u" TIN PLATING ON SOLDER AREA.
 SHIELD: BRASS T=0.20mm±0.01
 50u" NICKEL PLATING ON ALL AREA.
 SOLDERABILITY: PER MIL STD. 202, METHOD 208.
 DURABILITY: 750 MATING CYCLES MIN.

2. USB MECHANICAL:

HOUSING: HIGH TEMP. THERMOPLASTIC
 BLACK, UL 94V-0
 CONTACT: PHOSPHOR-BRONZE T=0.30mm±0.01
 30u" GOLD PLATING ON CONTACT AREA,
 OVER 50u" NICKEL PLATING ON ALL AREA,
 WITH 100u" TIN PLATING ON SOLDER AREA.
 SHIELD: BRASS T=0.30mm±0.01
 100u" TIN PLATING ON SOLDER AREA,
 OVER 50u" NICKEL PLATING ON ALL AREA.
 MATING FORCE: 35 NEWTONS MAXIMUM
 UNMATING FORCE: 10 NEWTONS MINIMUM
 DURABILITY: 1500 MATING CYCLES MIN.
 3. UNSPECIFIED TOLERANCE: .XX ±0.25[0.01]
 .X ±0.30[0.012]



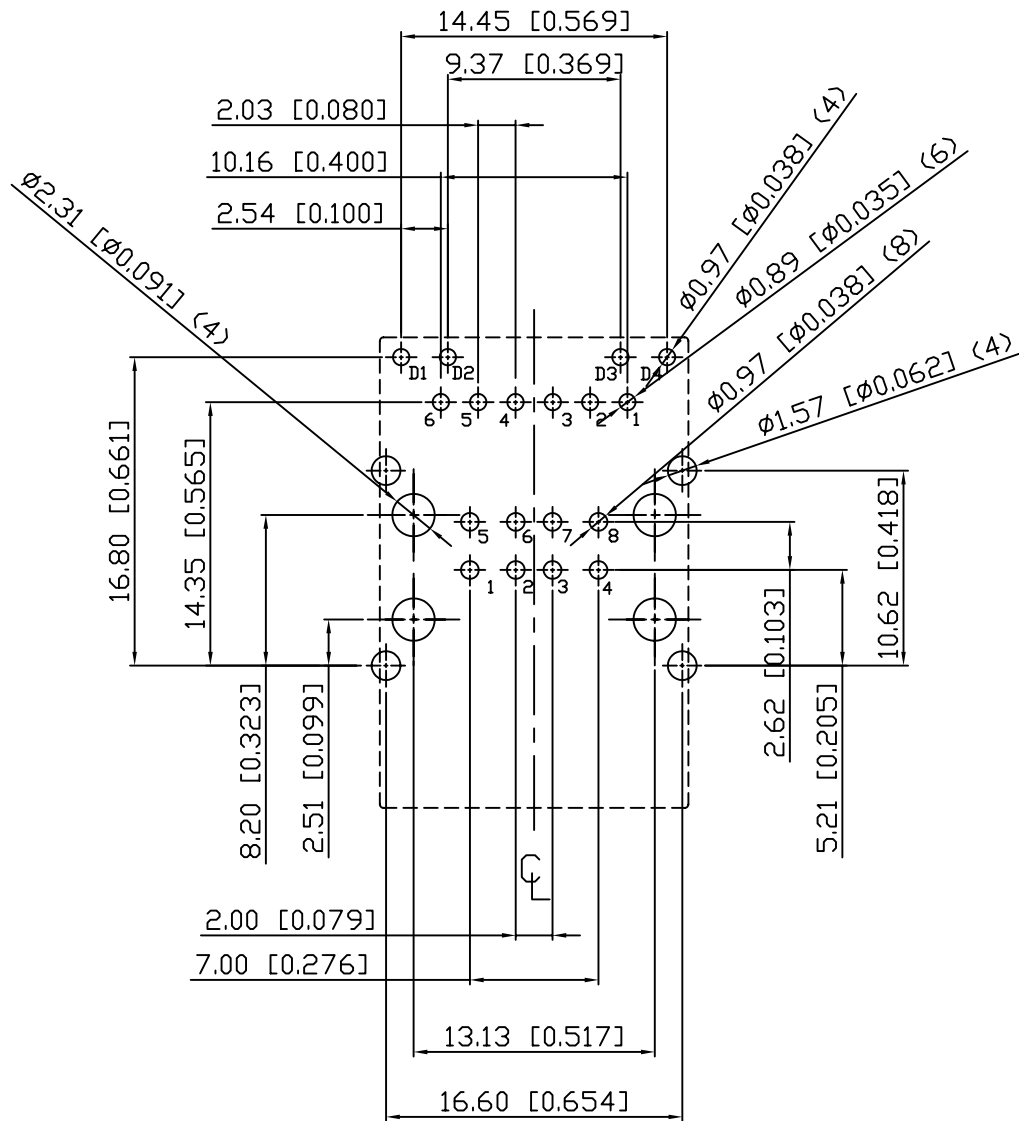
RECOMMENDED PLUG DIMENSION:



RoHS Compliant

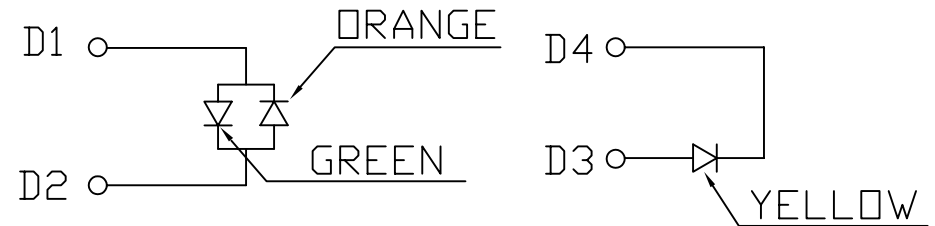
X MULTIPLE		CONNECTING THE INFORMATION AGE	
X MULTIPLE ASIA 4F, No. 347, Yang Guang St., Neihu Chiu, Taipei, Taiwan 11475		X MULTIPLE USA 1420 Los Angeles Ave., Suite G, Simi Valley, CA 93065	
THIS DRAWING IS A CONTROLLED DOCUMENT.			
TITLE: RJ45+USB A Type Daul, w/LED, w/Filter 10/100 Mbps, 8P,6C, Shielded, Thru-Hole		CUSTOMER/NO:	
PART NO: XRJB-K60-N-E21-570		DWG NO: XRJB-K60-N-E21-570	
UNIT: mm[inch]		DRAWN: AUSTIN	
SHEET: 1 of 3		CHKD: JEFF	
REV: 02		DATE: Jul.11,06	

2. PCB LAYOUT :



SUGGESTED PCB LAYOUT
(TOP VIEW)

3. LED CONFIGURATION :

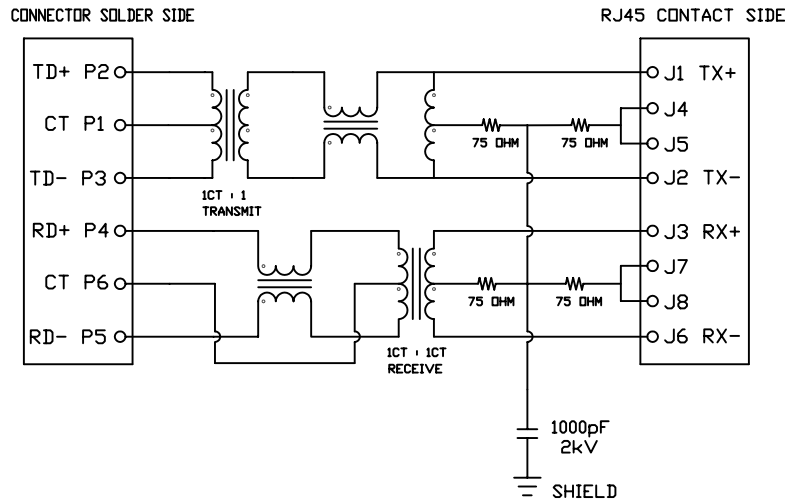


Color	Lens Color	Vf(v) @20mA		Iv(mcd) @10mA		Viewing angle
		Min	Max	Min	Typ	
Orange	White Diffused	1.7	2.6	1.8	4.0	180
Green		1.7	2.6	3.0	7.0	180
Yellow	Yellow Diffused	1.7	2.8	3.0	6.0	116

RoHS Compliant

		CONNECTING THE INFORMATION AGE	
X MULTIPLE ASIA 4F, No. 347, Yang Guang St., Neihu Chiu, Taipei, Taiwan 11475		X MULTIPLE USA 1420 Los Angeles Ave., Suite G, Simi Valley, CA 93065	
THIS DRAWING IS A CONTROLLED DOCUMENT.			
TITLE: RJ45+USB A Type Daul, w/LED, w/Filter 10/100 Mbps, 8P,6C, Shielded, Thru-Hole			
PART NO: XRJB-K60-N-E21-570			
		UNIT	SHEET
mm[inch]		2 of 3	02
DRAWN: AUSTIN		REV:	
CHECKED: JEFF		DATE: Jul.11,06	

4. SCHEMATIC:



5. ELECTRICAL CHARACTERISTICS :

TEST NOTES:(25±5°C)

1.TR:(100KHz,0.1V);

PINS:(P2-P3):(J1-J2)=1:1±3%

PINS:(P4-P5):(J3-J6)=1:1±3%

2.LX:(100KHz,100mV,8mA, DC Bias)

PINS: (P2,P3),(P4,P5)=350uH MINIMUM

3.DCR:

PINS:(P2-P3),(J1-J2),(J3-J6)= 1.0 OHMS MAXIMUM

PINS:(P4-P5)=1.2 OHMS MAXIMUM

4.HIPOT:

PINS(P2,P1,P3)TO(J1,J2)=1500VAC FOR 60 SECONDS

PINS(P4,P6,P5)TO(J3,J6)=1500VAC FOR 60 SECONDS

5.INSERTION LOSS:

-1.0dB MAXIMUM AT 0.3MHz TO 100MHz;

6.RETURN LOSS:

-20dB MINIMUM AT 1MHz TO 30MHz;

-15dB MINIMUM AT 30MHz TO 60MHz

-10dB MINIMUM AT 60MHz TO 80MHz

7.CROSS TALK:

-30dB MINIMUM AT 1MHz TO 100MHz

8.COMMON TO COMMON MODE REJECTION:

-30dB MINIMUM AT 1MHz TO 100MHz

XRJB-K60-N-E21-570

PRODUCT SERIES
B : RJ45 OVER USB

MECHANICAL TYPE
K60 : RJ45 OVER DUAL USB
A TYPE, K6 SERIES

LED COLOR OPTION

PROTOCOL TYPE
E : 10/100 Mbps, 5 CORE

SPECIAL CODE
0 : STANDARD

SHIELDED TYPE
7 : EMI FINGER ON ALL SIDE

LED POLARITY
5 : BI-COLOR, +-

CIRCUIT TYPE

RoHS Compliant

		CONNECTING THE INFORMATION AGE	
		CUSTOMER/NO:	
MULTIPLE ASIA 4F, No. 347, Yang Guang St., Neihu Chiu, Taipei, Taiwan 11475		MULTIPLE USA 1420 Los Angeles Ave., Suite G, Simi Valley, CA 93065	
THIS DRAWING IS A CONTROLLED DOCUMENT.			
TITLE: RJ45+USB A Type Daul, w/LED, w/Filter 10/100 Mbps, 8P,6C, Shielded, Thru-Hole		DWG NO: XRJB-K60-N-E21-570	
PART NO: XRJB-K60-N-E21-570		DRAWN: AUSTIN	
		UNIT mm[inch]	REV 02
SHEET 3 of 3		DATE: Jul.11,06	