

# 1. MECHANICAL DIMENSIONS :

## NOTES:

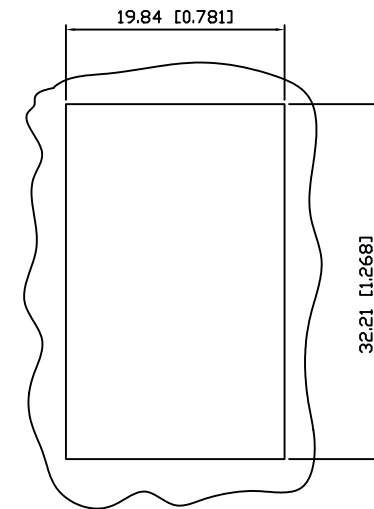
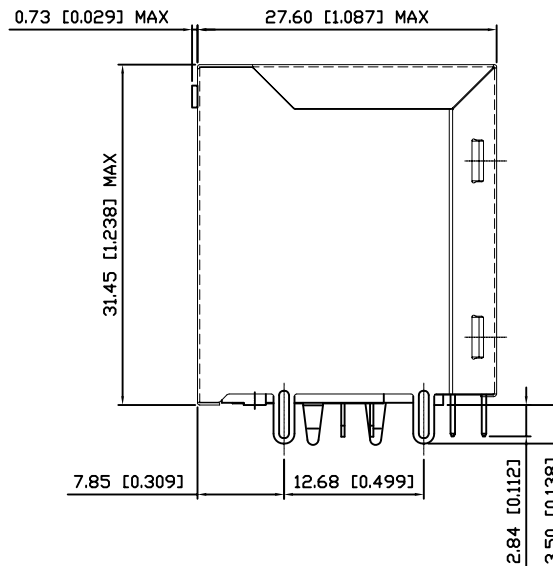
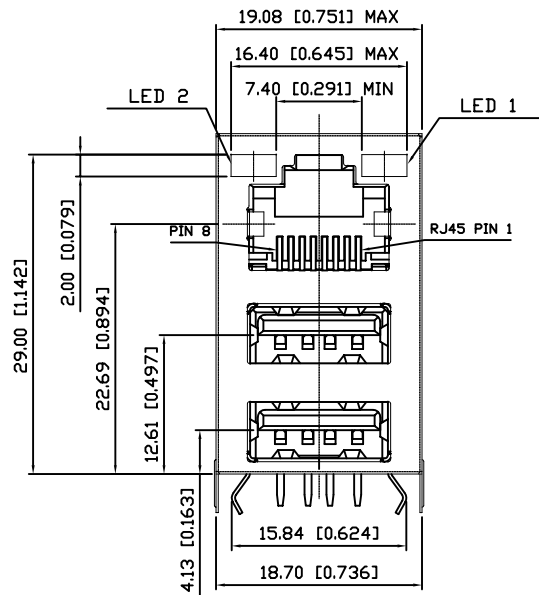
### 1. RJ45 MECHCNICAL:

PLASTIC HOUSING: HIGH TEMP. THERMOPLASTIC  
 PBT, BLACK, UL 94V-0  
 FRONT CONTACT: PHOSPHOR-BRONZE T=0.30mm±0.01  
 30u" GOLD PLATING ON CONTACT AREA,  
 OVER 50u" NICKEL PLATING ON ALL AREA,  
 WITH 100u" TIN PLATING ON SOLDER AREA.  
 BACK CONTACT: BRASS T=0.40mm±0.01  
 50u" NICKEL PLATING ON ALL AREA,  
 WITH 100u" TIN PLATING ON SOLDER AREA.  
 SHIELD: BRASS T=0.20mm±0.01  
 50u" NICKEL PLATING ON ALL AREA,  
 SOLDERABILITY: PER MIL STD. 202, METHOD 208.  
 DURABILITY: 750 MATING CYCLES MIN.

### 2. USB MECHANICAL:

HOUSING: HIGH TEMP. THERMOPLASTIC  
 PBT, BLACK, UL 94V-0  
 CONTACT: PHOSPHOR-BRONZE T=0.25mm±0.01  
 GOLD FLASH ON CONTACT AREA,  
 OVER 50u" NICKEL PLATING ON ALL AREA,  
 WITH 100u" TIN PLATING ON SOLDER AREA.  
 SHIELD: BRASS T=0.30mm±0.01  
 50u" NICKEL PLATING ON ALL AREA.  
 MATING FORCE: 35 NEWTONS MAXIMUM  
 UNMATING FORCE: 10 NEWTONS MINIMUM  
 DURABILITY: 1500 MATING CYCLES MIN.

3. UNSPECIFIED TOLERANCE: .XX ±0.25[0.01]  
 .X ±0.30[0.012]



RECOMMENDED  
 PANEL CUTOUT DIMENSION

**XRJB-G70-X-D27-01**

PRODUCT SERIES  
 B : RJ45 OVER USB

NUMBER OF PORT  
 G70 : RJ45 OVER DUAL USB A TYPE  
 G7 SERIES

LED COLOR OPTION

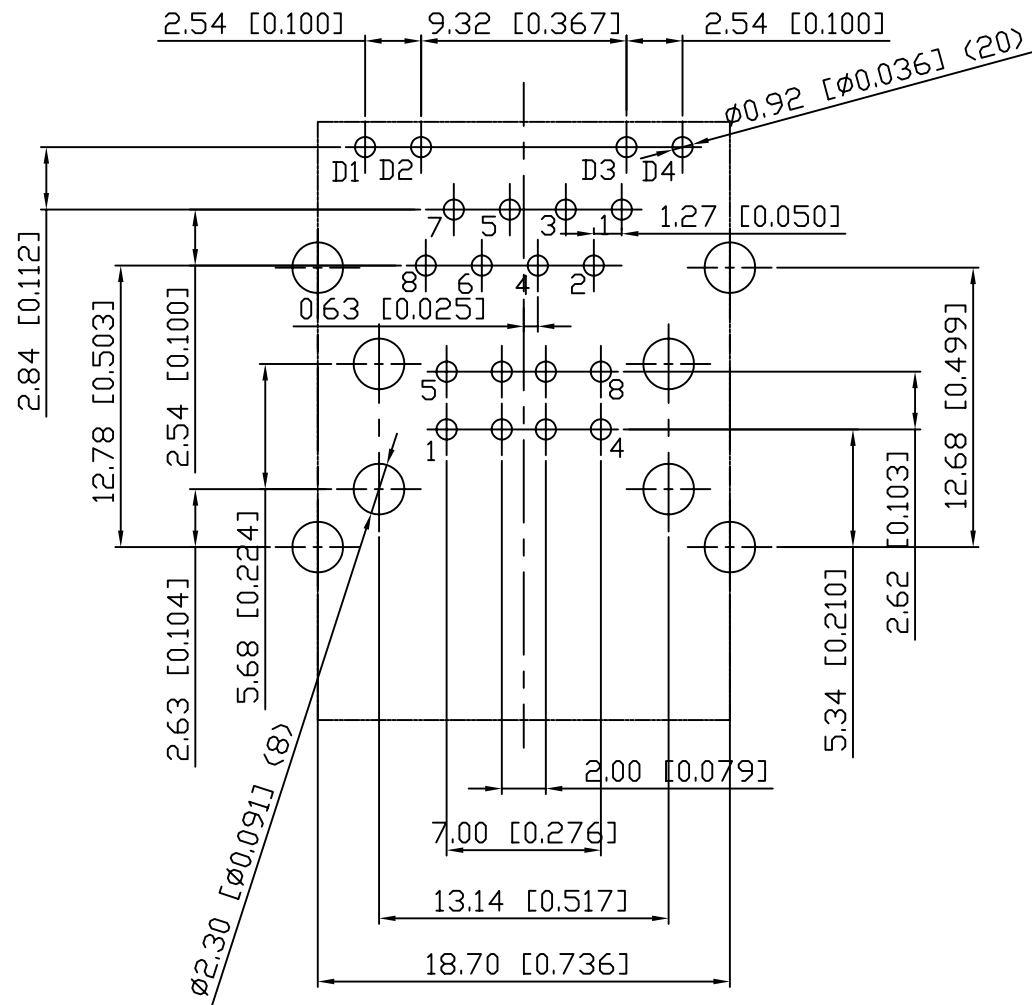
CIRCUIT TYPE

SERIAL NUMBER

# RoHS Compliant

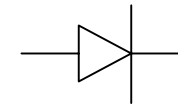
		CONNECTING THE INFORMATION AGE	
		CUSTOMER/NO:	
MULTIPLE ASIA 4F, No. 347, Yang Guang St., Neihu Chiu, Taipei, Taiwan 11475		MULTIPLE USA 1420 Los Angeles Ave., Suite G, Simi Valley, CA 93065	
THIS DRAWING IS A CONTROLLED DOCUMENT.			
TITLE: RJ45+USB A Type Daul, w/LED,w/Filter 10/100 Mbps, 8P,8C,Shielded,Thru-Hole			
PART NO:		XRJB-G70-X-D27-01	
		UNIT	SHEET
mm[inch]		1 of 3	01
DATE:		25/10/05	
DRAWN:		TARA	
CHKD:		JEFF	

## 2. PCB LAYOUT :

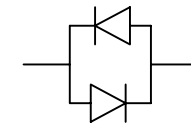


SUGGESTED PCB LAYOUT  
(TOP VIEW)

## 3. LED CONFIGURATION :



SINGLE-COLOR LED



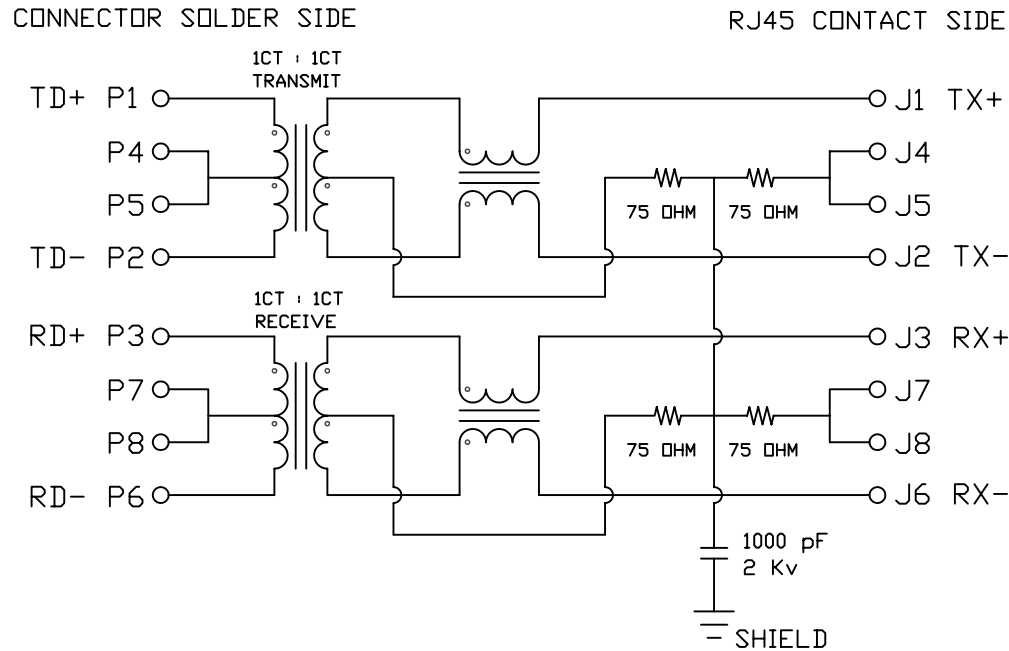
BI-COLOR LED

Color	Lens Color	Vf(v) @20mA		Iv(mcd) @10mA		Viewing angle 2θ 1/2
		Min	Max	Min	Typ	

RoHS Compliant

		CONNECTING THE INFORMATION AGE		CUSTOMER/NO:	
				X MULTIPLE ASIA 4F, No. 347, Yang Guang St., Neihu Chiu, Taipei, Taiwan 11475	
THIS DRAWING IS A CONTROLLED DOCUMENT.					
TITLE: RJ45+USB A Type Daul, w/LED,w/Filter 10/100 Mbps, 8P,8C,Shielded,Thru-Hole				DWG NO: XRJB-G70-X-D27-01	
PART NO: XRJB-G70-X-D27-01				DRAWN: TARA	
				CHKD: JEFF	
UNIT mm[inch]		SHEET 2 of 3		REV 01	
				DATE: 25/10/05	

#### 4. SCHEMATIC:



#### 5. ELECTRICAL CHARACTERISTICS :

TEST NOTES:( $25 \pm 5^\circ\text{C}$ )

1.TR:(100KHz,0.1V);

PINS:(P1-P2):(J1-J2)= $1:1 \pm 3\%$

PINS:(P3-P6):(J3-J6)= $1:1 \pm 3\%$

2.LX:(100KHz,100mV,8mA, DC Bias)

PINS:(P1,P2),(P3,P6)=350uH MINIMUM

3.DCR:

PINS:(P1-P2),(J1-J2),(J3-J6)= 1.0 OHMS MAXIMUM

PINS:(P3-P6)=1.2 OHMS MAXIMUM

4.HIPOT:

PINS(P1,P4,P5,P2)TO(J1,J2)=1500VAC FOR 60 SECONDS

PINS(P3,P7,P8,P6)TO(J3,J6)=1500VAC FOR 60 SECONDS

5.INSERTION LOSS:

-1.0dB MAXIMUM AT 0.3MHz TO 100MHz;

6.RETURN LOSS:

-20dB MINIMUM AT 1MHz TO 30MHz;

-15dB MINIMUM AT 30MHz TO 60MHz

-10dB MINIMUM AT 60MHz TO 80MHz

7.CROSS TALK:

-30dB MINIMUM AT 1MHz TO 100MHz

8.COMMON TO COMMON MODE REJECTION:

-30dB MINIMUM AT 1MHz TO 100MHz

RoHS Compliant

		CONNECTING THE INFORMATION AGE	
X MULTIPLE ASIA 4F, No. 347, Yang Guang St., Neihu Chiu, Taipei, Taiwan 11475		X MULTIPLE USA 1420 Los Angeles Ave., Suite G, Simi Valley, CA 93065	
THIS DRAWING IS A CONTROLLED DOCUMENT.			
TITLE: RJ45+USB A Type Daul, w/LED,w/Filter 10/100 Mbps, 8P,8C,Shielded,Thru-Hole		DWG NO: XRJB-G70-X-D27-01	
PART NO: XRJB-G70-X-D27-01		DRAWN: TARA	
		CHKD: JEFF	
UNIT: mm[inch]		SHEET: 3 of 3	
REV: 01		DATE: 25/10/05	