

1. MECHANICAL DIMENSIONS :

NOTES:

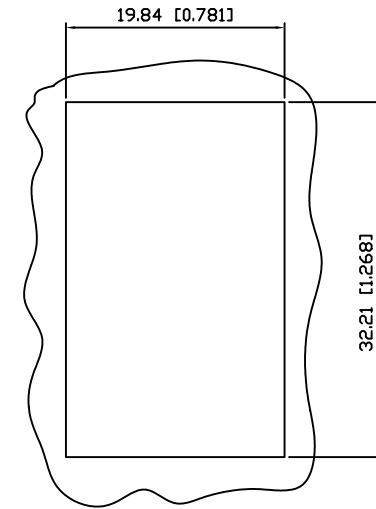
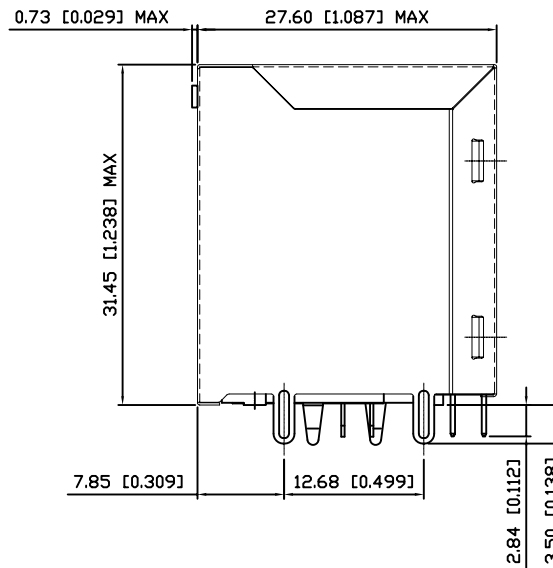
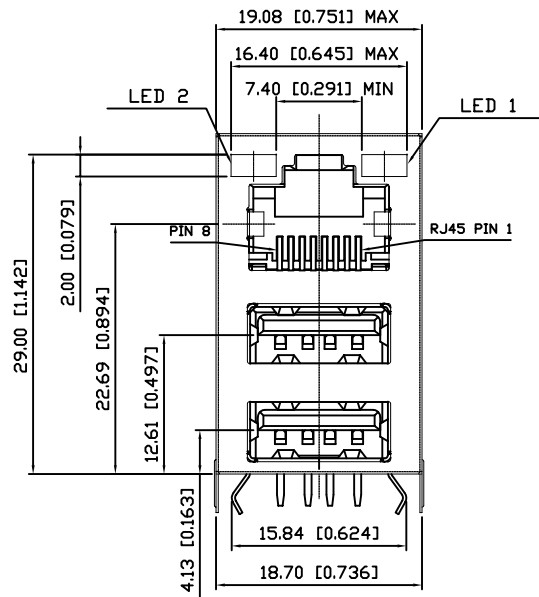
1. RJ45 MECHCNICAL:

PLASTIC HOUSING: HIGH TEMP. THERMOPLASTIC
 PBT, BLACK, UL 94V-0
 FRONT CONTACT: PHOSPOR-BRONZE T=0.30mm±0.01
 30u" GOLD PLATING ON CONTACT AREA,
 OVER 50u" NICKEL PLATING ON ALL AREA,
 WITH 100u" TIN PLATING ON SOLDER AREA.
 BACK CONTACT: BRASS T=0.40mm±0.01
 50u" NICKEL PLATING ON ALL AREA,
 WITH 100u" TIN PLATING ON SOLDER AREA.
 SHIELD: BRASS T=0.20mm±0.01
 50u" NICKEL PLATING ON ALL AREA,
 SOLDERABILITY: PER MIL STD. 202, METHOD 208.
 DURABILITY: 750 MATING CYCLES MIN.

2. USB MECHANICAL:

HOUSING: HIGH TEMP. THERMOPLASTIC
 PBT, BLACK, UL 94V-0
 CONTACT: PHOSPOR-BRONZE T=0.25mm±0.01
 GOLD FLASH ON CONTACT AREA,
 OVER 50u" NICKEL PLATING ON ALL AREA,
 WITH 100u" TIN PLATING ON SOLDER AREA.
 SHIELD: BRASS T=0.30mm±0.01
 50u" NICKEL PLATING ON ALL AREA.
 MATING FORCE: 35 NEWTONS MAXIMUM
 UNMATING FORCE: 10 NEWTONS MINIMUM
 DURABILITY: 1500 MATING CYCLES MIN.

3. UNSPECIFIED TOLERANCE: .XX ±0.25[0.01]
 .X ±0.30[0.012]



RECOMMENDED
 PANEL CUTOUT DIMENSION

XRJB-G70-X-E11-01

PRODUCT SERIES
 B : RJ45 OVER USB

NUMBER OF PORT
 G70 : RJ45 OVER DUAL USB A TYPE
 G7 SERIES

LED COLOR OPTION

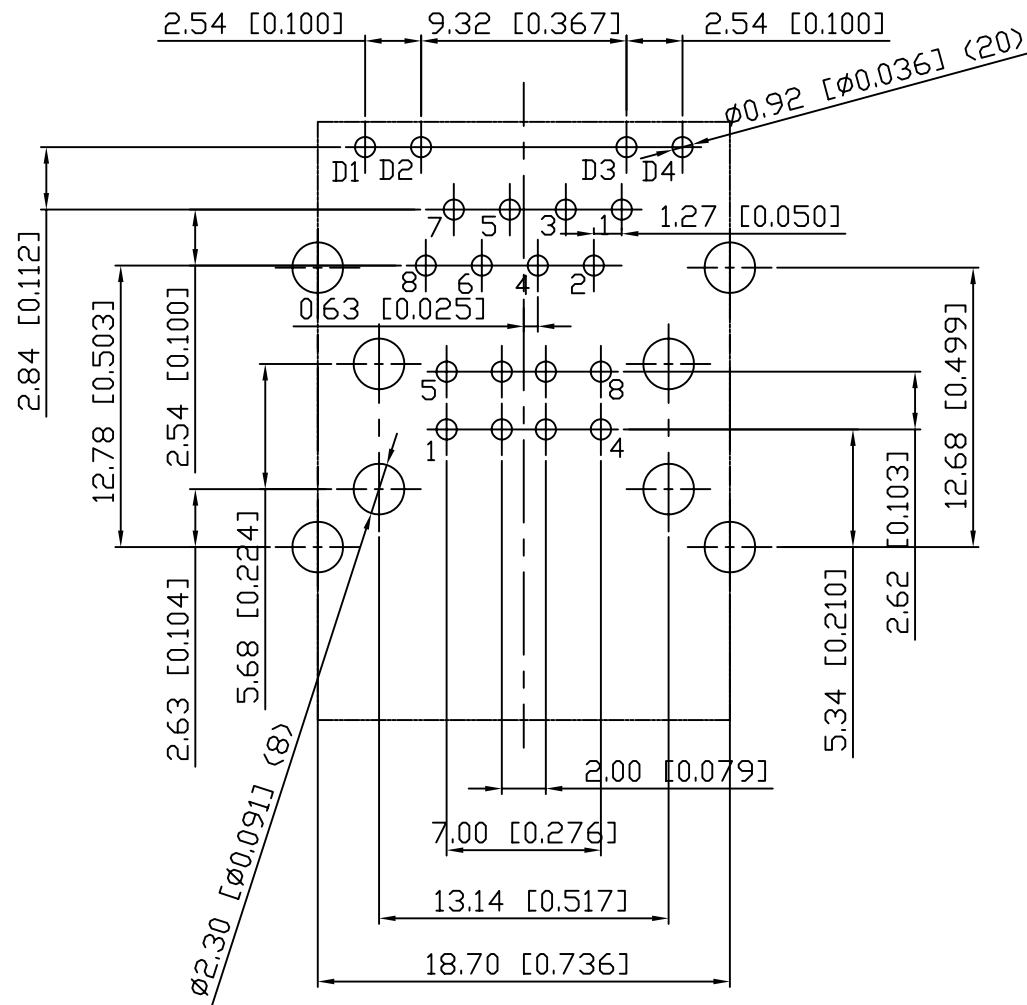
CIRCUIT TYPE

SERIAL NUMBER

RoHS Compliant

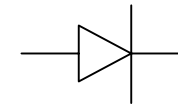
		CONNECTING THE INFORMATION AGE	
		CUSTOMER/NO:	
MULTIPLE ASIA 4F, No. 347, Yang Guang St., Neihu Chiu, Taipei, Taiwan 11475		MULTIPLE USA 1420 Los Angeles Ave., Suite G, Simi Valley, CA 93065	
THIS DRAWING IS A CONTROLLED DOCUMENT.			
TITLE: RJ45+USB A Type Dual, w/LED,w/Filter 10/100 Mbps, 8P,8C,Shielded,Thru-Hole			
PART NO:		XRJB-G70-X-E11-01	
		UNIT	SHEET
		mm[inch]	1 of 3
		REV	01
		DATE:	25/10/05

2. PCB LAYOUT :

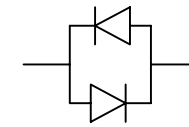


SUGGESTED PCB LAYOUT
(TOP VIEW)

3. LED CONFIGURATION :



SINGLE-COLOR LED



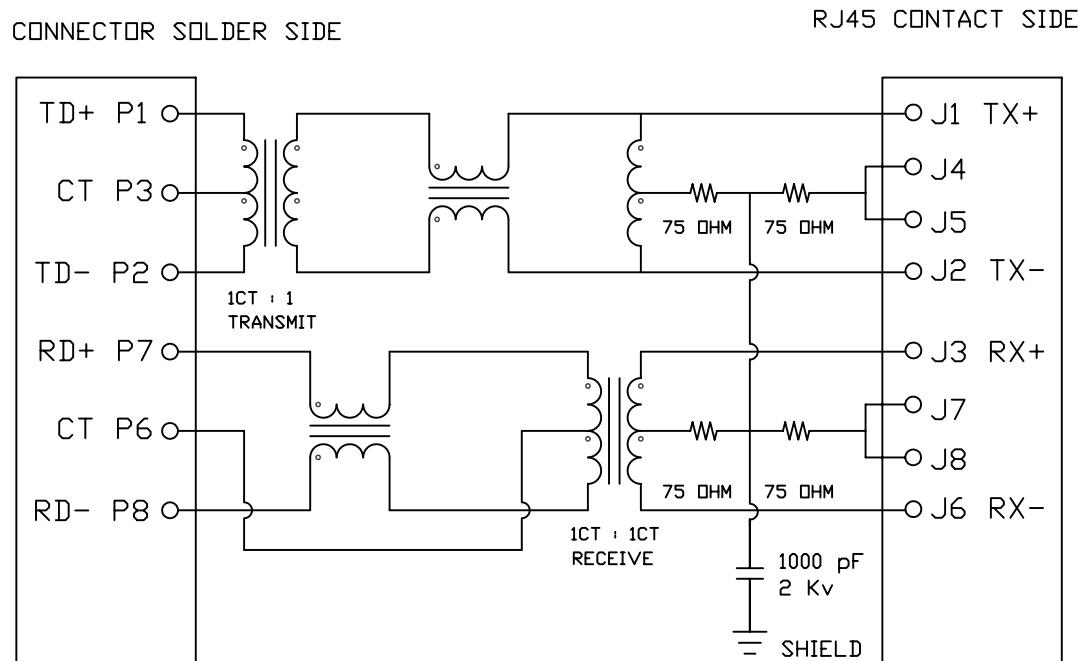
BI-COLOR LED

Color	Lens Color	Vf(v) @20mA		Iv(mcd) @10mA		Viewing angle 2θ 1/2
		Min	Max	Min	Typ	

RoHS Compliant

		CONNECTING THE INFORMATION AGE		CUSTOMER/NO:	
				X MULTIPLE ASIA 4F, No. 347, Yang Guang St., Neihu Chiu, Taipei, Taiwan 11475	
THIS DRAWING IS A CONTROLLED DOCUMENT.					
TITLE: RJ45+USB A Type Daul, w/LED,w/Filter 10/100 Mbps, 8P,8C,Shielded,Thru-Hole				DRAWN: TARA	
PART NO: XRJB-G70-X-E11-01				CHKD: JEFF	
		UNIT mm[inch]	SHEET 2 of 3	REV 01	DATE: 25/10/05

4. SCHEMATIC:



5. ELECTRICAL CHARACTERISTICS :

TEST NOTES:($25 \pm 5^\circ\text{C}$)

1.TR:(100KHz,0.1V);

PINS:(P1-P2):(J1-J2)= $1:1 \pm 3\%$

PINS:(P7-P8):(J3-J6)= $1:1 \pm 3\%$

2.LX:(100KHz,100mV,8mA, DC Bias)

PINS: (P1,P2),(P7,P8)=350uH MINIMUM

3.DCR:

PINS:(P1-P2),(J1-J2),(J3-J6)= 1.0 OHMS MAXIMUM

PINS:(P7-P8)=1.2 OHMS MAXIMUM

4.HIPOT:

PINS(P1,P3,P2)TO(J1,J2)=1500VAC FOR 60 SECONDS

PINS(P7,P6,P8)TO(J3,J6)=1500VAC FOR 60 SECONDS

5.INSERTION LOSS:

-1.0dB MAXIMUM AT 0.3MHz TO 100MHz;

6.RETURN LOSS:

-20dB MINIMUM AT 1MHz TO 30MHz;

-15dB MINIMUM AT 30MHz TO 60MHz

-10dB MINIMUM AT 60MHz TO 80MHz

7.CROSS TALK:

-30dB MINIMUM AT 1MHz TO 100MHz

8.COMMON TO COMMON MODE REJECTION:

-30dB MINIMUM AT 1MHz TO 100MHz

RoHS Compliant

X MULTIPLE ASIA 4F, No. 347, Yang Guang St., Neihu Chiu, Taipei, Taiwan 11475		X MULTIPLE USA 1420 Los Angeles Ave., Suite G, Simi Valley, CA 93065	
THIS DRAWING IS A CONTROLLED DOCUMENT.			
TITLE: RJ45+USB A Type Daul, w/LED,w/Filter 10/100 Mbps, 8P,8C,Shielded,Thru-Hole		DWG NO: XRJB-G70-X-E11-01	
PART NO: XRJB-G70-X-E11-01		DRAWN: TARA	
		CHKD: JEFF	
UNIT: mm[inch]		SHEET: 3 of 3	
DATE: 25/10/05		REV: 01	