

1. MECHANICAL DIMENSIONS :

NOTES:

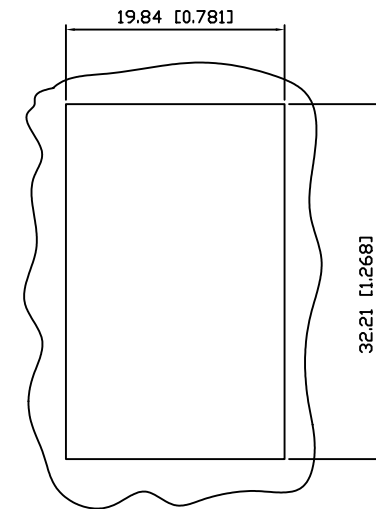
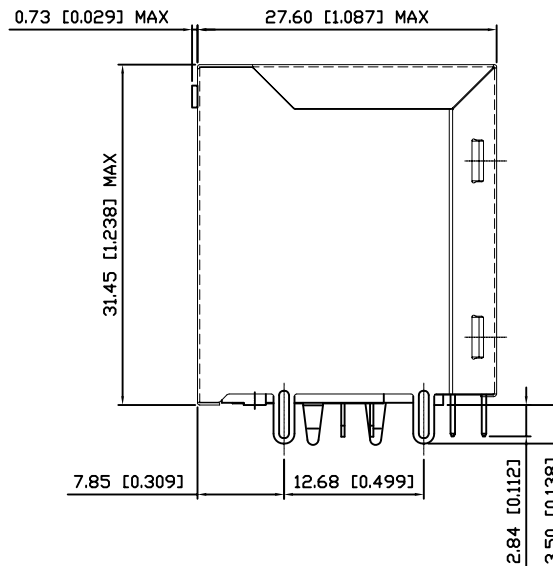
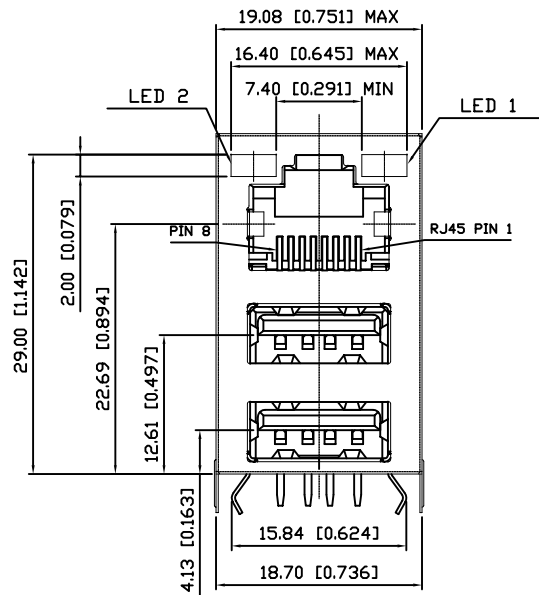
1. RJ45 MECHCNICAL:

PLASTIC HOUSING: HIGH TEMP. THERMOPLASTIC
 PBT, BLACK, UL 94V-0
 FRONT CONTACT: PHOSPHOR-BRONZE T=0.30mm±0.01
 30u" GOLD PLATING ON CONTACT AREA,
 OVER 50u" NICKEL PLATING ON ALL AREA,
 WITH 100u" TIN PLATING ON SOLDER AREA.
 BACK CONTACT: BRASS T=0.40mm±0.01
 50u" NICKEL PLATING ON ALL AREA,
 WITH 100u" TIN PLATING ON SOLDER AREA.
 SHIELD: BRASS T=0.20mm±0.01
 50u" NICKEL PLATING ON ALL AREA,
 SOLDERABILITY: PER MIL STD. 202, METHOD 208.
 DURABILITY: 750 MATING CYCLES MIN.

2. USB MECHANICAL:

HOUSING: HIGH TEMP. THERMOPLASTIC
 PBT, BLACK, UL 94V-0
 CONTACT: PHOSPHOR-BRONZE T=0.25mm±0.01
 GOLD FLASH ON CONTACT AREA,
 OVER 50u" NICKEL PLATING ON ALL AREA,
 WITH 100u" TIN PLATING ON SOLDER AREA.
 SHIELD: BRASS T=0.30mm±0.01
 50u" NICKEL PLATING ON ALL AREA.
 MATING FORCE: 35 NEWTONS MAXIMUM
 UNMATING FORCE: 10 NEWTONS MINIMUM
 DURABILITY: 1500 MATING CYCLES MIN.

3. UNSPECIFIED TOLERANCE: .XX ±0.25[0.01]
 .X ±0.30[0.012]



RECOMMENDED
 PANEL CUTOUT DIMENSION

XRJB-G70-X-EE1-01

PRODUCT SERIES
 B : RJ45 OVER USB

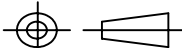
CIRCUIT TYPE

LED COLOR OPTION

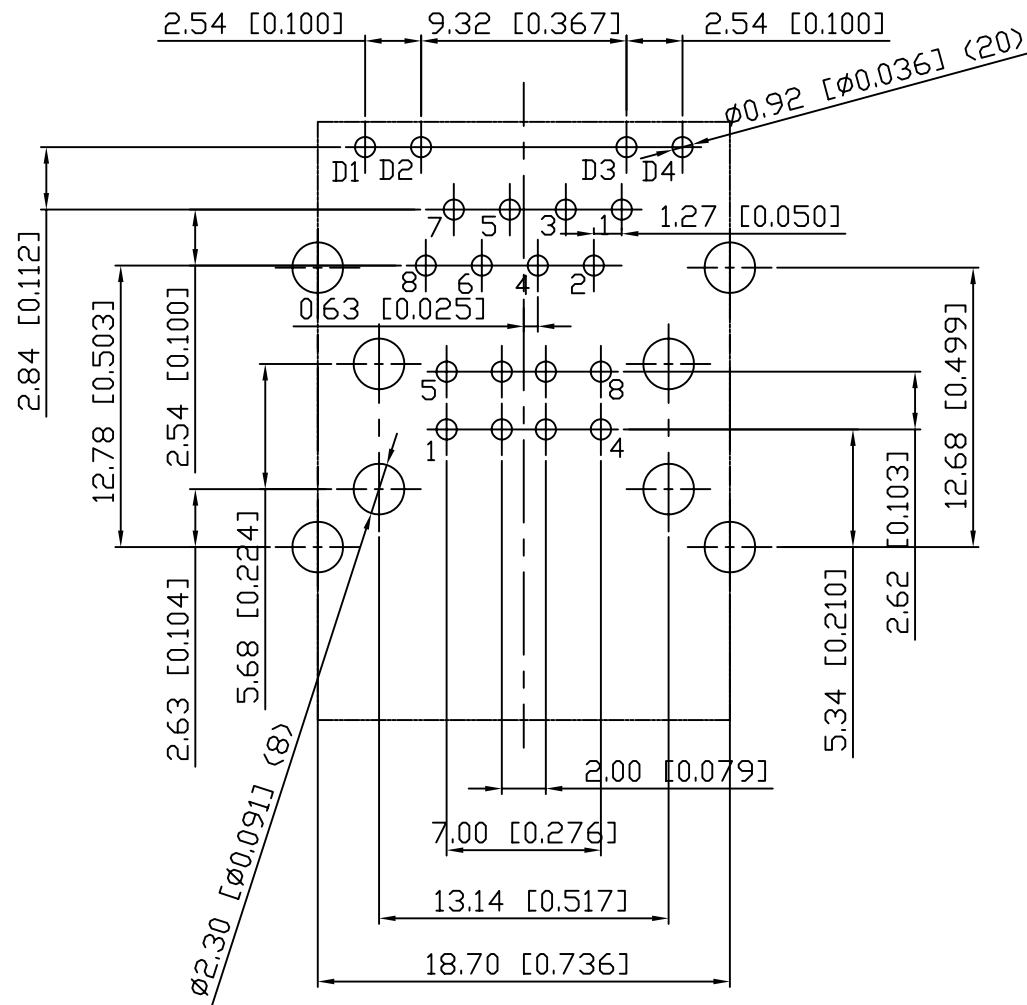
NUMBER OF PORT
 G70 : RJ45 OVER DUAL USB A TYPE
 G7 SERIES

SERIAL NUMBER

RoHS Compliant

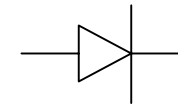
X MULTIPLE		CONNECTING THE INFORMATION AGE	
XMULTIPLE ASIA 4F, No. 347, Yang Guang St., Neihu Chiu, Taipei, Taiwan 11475		XMULTIPLE USA 1420 Los Angeles Ave., Suite G, Simi Valley, CA 93065	
THIS DRAWING IS A CONTROLLED DOCUMENT.		CUSTOMER/NO:	
TITLE: RJ45+USB A Type Daul, w/LED,w/Filter 10/100 Mbps, 8P,8C,Shielded,Thru-Hole		DWG NO: XRJB-G70-X-EE1-01	
PART NO: XRJB-G70-X-EE1-01		DRAWN: TARA	
 UNIT mm[inch]		SHEET 1 of 3	
		REV 01	
		DATE: 25/10/05	

2. PCB LAYOUT :

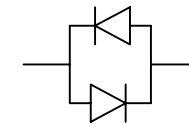


SUGGESTED PCB LAYOUT
(TOP VIEW)

3. LED CONFIGURATION :



SINGLE-COLOR LED



BI-COLOR LED

Color	Lens Color	Vf(v) @20mA		Iv(mcd) @10mA		Viewing angle 2θ 1/2
		Min	Max	Min	Typ	

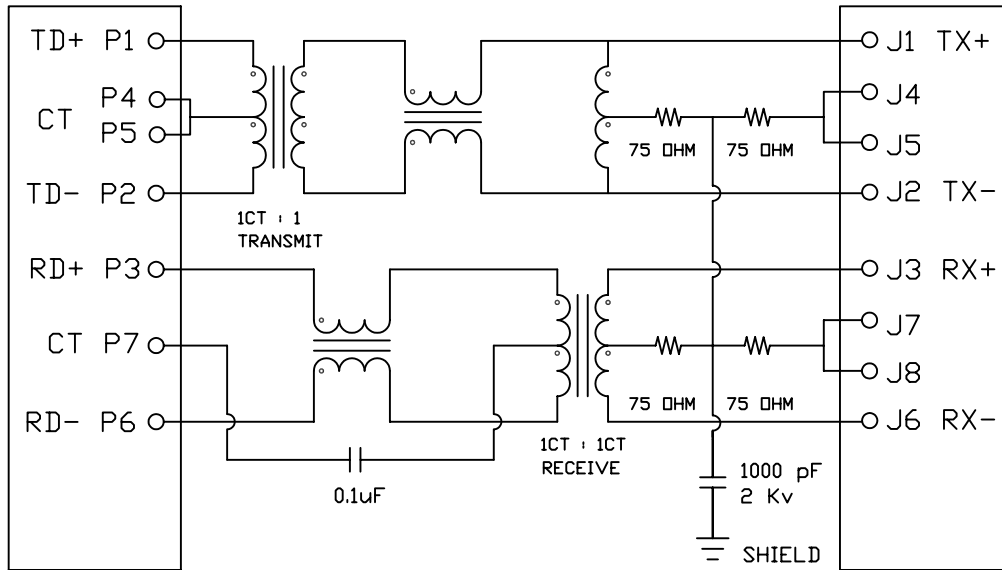
RoHS Compliant

		CONNECTING THE INFORMATION AGE		CUSTOMER/NO:	
				X MULTIPLE ASIA 4F, No. 347, Yang Guang St., Neihu Chiu, Taipei, Taiwan 11475	
THIS DRAWING IS A CONTROLLED DOCUMENT.					
TITLE: RJ45+USB A Type Daul, w/LED,w/Filter 10/100 Mbps, 8P,8C,Shielded,Thru-Hole				DRAWN: TARA	
PART NO: XRJB-G70-X-EE1-01				CHKD: JEFF	
		UNIT	SHEET	REV	DATE:
		mm[inch]	2 of 3	01	25/10/05

4. SCHEMATIC:

CONNECTOR SOLDER SIDE

RJ45 CONTACT SIDE



5. ELECTRICAL CHARACTERISTICS :

TEST NOTES:(25±5°C)

1.TR:(100KHz,0.1V);

PINS:(P1-P2):(J1-J2)=1:1±3%

PINS:(P3-P6):(J3-J6)=1:1±3%

2.LX:(100KHz,100mV,8mA, DC Bias)

PINS: (P1,P2),(P3,P6)=350uH MINIMUM

3.DCR:

PINS:(P1-P2),(J1-J2),(J3-J6)= 1.0 OHMS MAXIMUM

PINS:(P3-P6)=1.2 OHMS MAXIMUM

4.HIPOT:

PINS(P1,P4,P5,P2)TO(J1,J2)=1500VAC FOR 60 SECONDS

PINS(P3,P7,P6)TO(J3,J6)=1500VAC FOR 60 SECONDS

5.INSERTION LOSS:

-1.0dB MAXIMUM AT 0.3MHz TO 100MHz;

6.RETURN LOSS:

-20dB MINIMUM AT 1MHz TO 30MHz;

-15dB MINIMUM AT 30MHz TO 60MHz

-10dB MINIMUM AT 60MHz TO 80MHz

7.CROSS TALK:

-30dB MINIMUM AT 1MHz TO 100MHz

8.COMMON TO COMMON MODE REJECTION:

-30dB MINIMUM AT 1MHz TO 100MHz

RoHS Compliant

X MULTIPLE		CONNECTING THE INFORMATION AGE	
XMULTIPLE ASIA 4F, No. 347, Yang Guang St., Neihu Chiu, Taipei, Taiwan 11475		XMULTIPLE USA 1420 Los Angeles Ave., Suite G, Simi Valley, CA 93065	
CUSTOMER/NO:			
THIS DRAWING IS A CONTROLLED DOCUMENT.			
TITLE: RJ45+USB A Type Daul, w/LED,w/Filter 10/100 Mbps, 8P,8C,Shielded,Thru-Hole		DWG NO: XRJB-G70-X-EE1-01	
PART NO: XRJB-G70-X-EE1-01		DRAWN: TARA	
		CHKD: JEFF	
	UNIT mm[inch]	SHEET 3 of 3	REV 01
		DATE: 25/10/05	