

# 1. MECHANICAL DIMENSIONS :

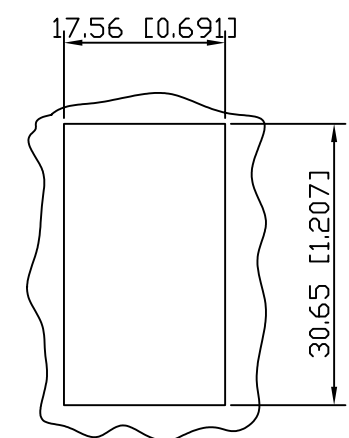
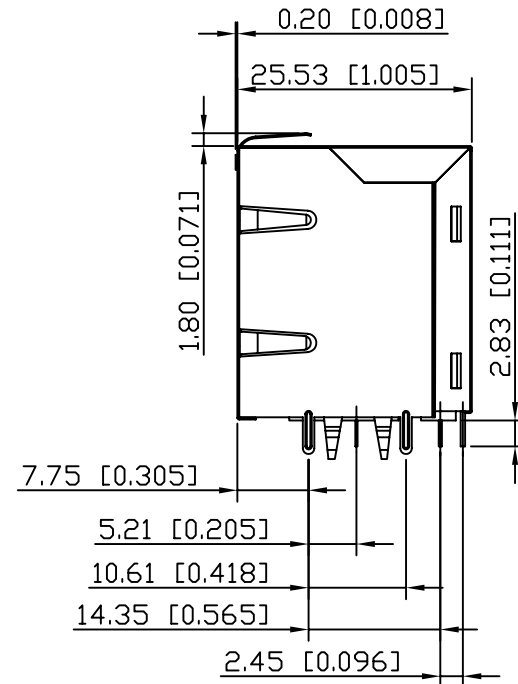
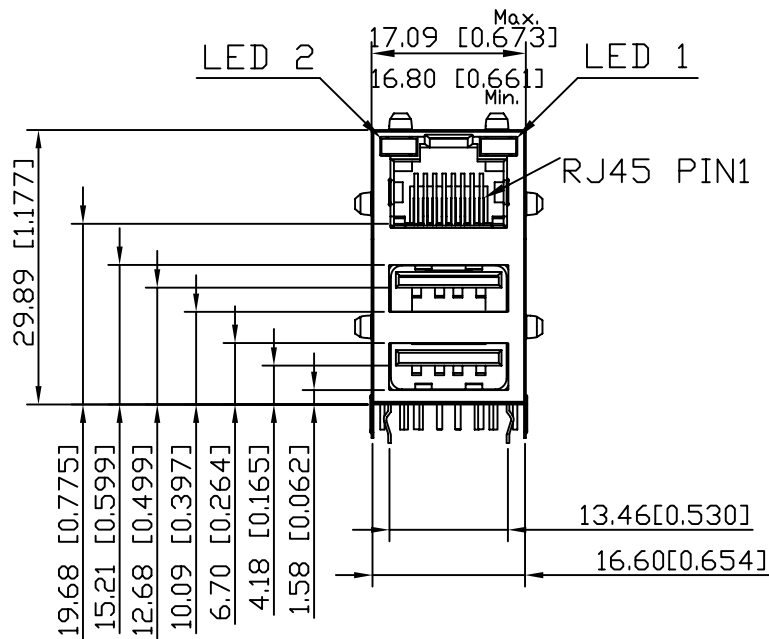
## NOTES:

### 1. RJ45 MECHANICAL:

PLASTIC HOUSING: THERMOPLASTIC PBT BLACK  
 FLAMMABILITY RATING UL 94V-0  
 FRONT CONTACT: PHOSPHOR-BRONZE T=0.35mm±0.01  
 30u" GOLD PLATING ON CONTACT AREA,  
 OVER 50u" NICKEL PLATING ON ALL AREA,  
 WITH 100u" TIN PLATING ON SOLDER AREA.  
 BACK CONTACT: BRASS T=0.40mm±0.01  
 50u" NICKEL PLATING ON ALL AREA,  
 WITH 100u" TIN PLATING ON SOLDER AREA.  
 SHIELD: BRASS T=0.20mm±0.01  
 50u" NICKEL PLATING ON ALL AREA.  
 SOLDERABILITY: PER MIL STD. 202, METHOD 208.  
 DURABILITY: 750 MATING CYCLES MIN.

### 2. USB MECHANICAL:

HOUSING: HIGH TEMP. THERMOPLASTIC  
 BLACK, UL 94V-0  
 CONTACT: PHOSPHOR-BRONZE T=0.30mm±0.01  
 GOLD FLASH PLATING ON CONTACT AREA,  
 OVER 50u" NICKEL PLATING ON ALL AREA,  
 WITH 100u" TIN PLATING ON SOLDER AREA.  
 SHIELD: BRASS T=0.30mm±0.01  
 100u" TIN PLATING ON SOLDER AREA,  
 OVER 50u" NICKEL PLATING ON ALL AREA.  
 MATING FORCE: 35 NEWTONS MAXIMUM  
 UNMATING FORCE: 10 NEWTONS MINIMUM  
 DURABILITY: 1500 MATING CYCLES MIN.  
 3. UNSPECIFIED TOLERANCE: .XX ±0.25[0.01]  
 .X ±0.30[0.012]



RECOMMENDED  
 PANEL CUTOUT DIMENSION

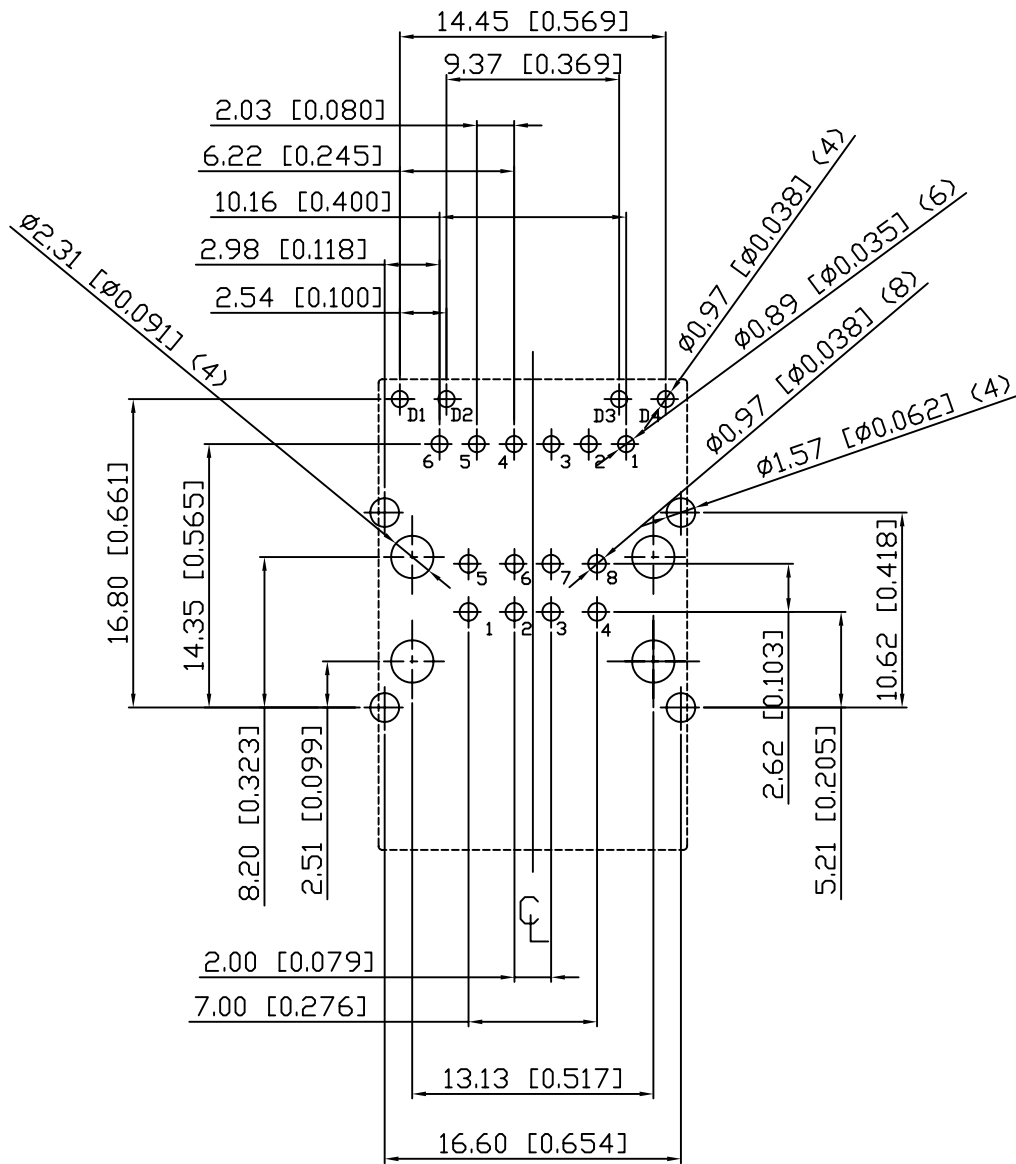
RoHS Compliant

**XRJB-K60-X-E24-01**

PRODUCT SERIES: B : RJ45 OVER USB  
 CIRCUIT TYPE: X  
 LED COLOR OPTION: K60  
 NUMBER OF PORT: K60 : RJ45 OVER DUAL USB A TYPE  
 K6 SERIES  
 SERIAL NUMBER: 01

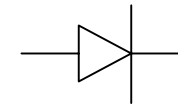
		CONNECTING THE INFORMATION AGE	
		CUSTOMER/NO:	
MULTIPLE ASIA 4F, No. 347, Yang Guang St., Neihu Chiu, Taipei, Taiwan 11475		MULTIPLE USA 1420 Los Angeles Ave., Suite G, Simi Valley, CA 93065	
THIS DRAWING IS A CONTROLLED DOCUMENT.			
TITLE: RJ45+USB A Type Daul, w/LED, w/Filter 10/100 Mbps, 8P,6C, Shielded, Thru-Hole		DWG NO: XRJB-K60-X-E24-01	
PART NO: XRJB-K60-X-E24-01		DRAWN: TARA	
		UNIT mm[inch]	SHEET 1 of 3
		REV 01	DATE: 26/10/05

## 2. PCB LAYOUT :

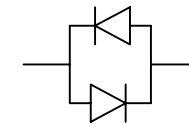


SUGGESTED PCB LAYOUT  
(TOP VIEW)

## 3. LED CONFIGURATION :



SINGLE-COLOR LED



BI-COLOR LED

Color	Lens Color	Vf(v) @20mA		Iv(mcd) @10mA		Viewing angle 2θ 1/2
		Min	Max	Min	Typ	

RoHS Compliant

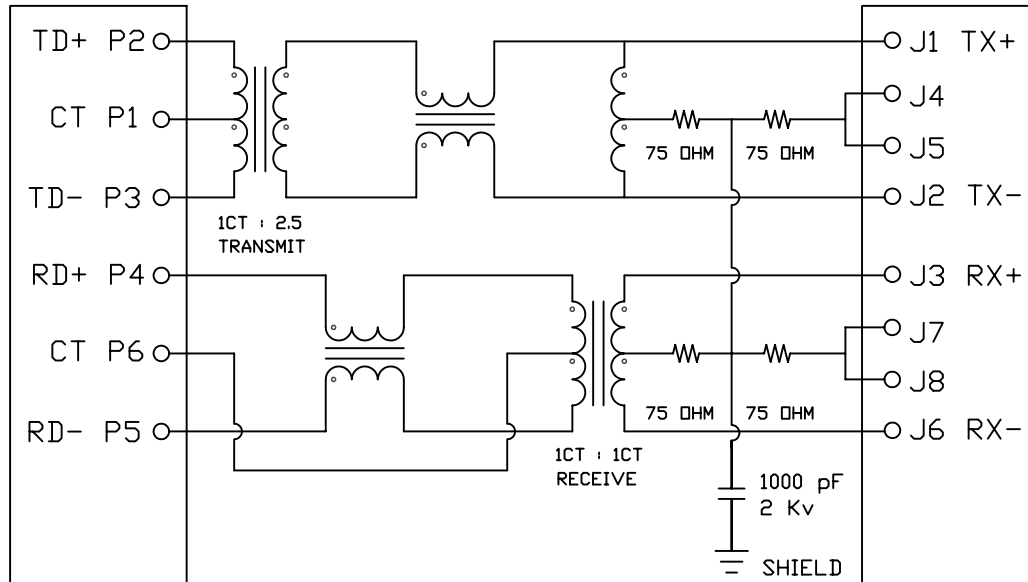
		CONNECTING THE INFORMATION AGE		CUSTOMER/NO:	
				X MULTIPLE ASIA 4F, No. 347, Yang Guang St., Neihu Chiu, Taipei, Taiwan 11475	
THIS DRAWING IS A CONTROLLED DOCUMENT.					
TITLE: RJ45+USB A Type Daul, w/LED, w/Filter 10/100 Mbps, 8P,6C, Shielded, Thru-Hole				DRAWN: TARA	
PART NO: XRJB-K60-X-E24-01				CHKD: JEFF	
		UNIT	SHEET	REV	DATE:
mm[inch]		2 of 3	01	26/10/05	

## 4. SCHEMATIC:

## 5. ELECTRICAL CHARACTERISTICS :

CONNECTOR SOLDER SIDE

RJ45 CONTACT SIDE



TEST NOTES:( $25 \pm 5^\circ\text{C}$ )

1.TR:(100KHz,0.1V);

PINS:(P2-P3):(J1-J2)= $1:1 \pm 3\%$

PINS:(P4-P5):(J3-J6)= $1:1 \pm 3\%$

2.LX:(100KHz,100mV,8mA, DC Bias)

PINS: (P2,P3),(P4,P5)=350uH MINIMUM

3.DCR:

PINS:(P2-P3),(J1-J2),(J3-J6)= 1.0 OHMS MAXIMUM

PINS:(P4-P5)=1.2 OHMS MAXIMUM

4.HIPOT:

PINS(P2,P1,P3)TO(J1,J2)=1500VAC FOR 60 SECONDS

PINS(P4,P6,P5)TO(J3,J6)=1500VAC FOR 60 SECONDS

5.INSERTION LOSS:

-1.0dB MAXIMUM AT 0.3MHz TO 100MHz;

6.RETURN LOSS:

-20dB MINIMUM AT 1MHz TO 30MHz;

-15dB MINIMUM AT 30MHz TO 60MHz

-10dB MINIMUM AT 60MHz TO 80MHz


7.CROSS TALK:

-30dB MINIMUM AT 1MHz TO 100MHz

8.COMMON TO COMMON MODE REJECTION:

-30dB MINIMUM AT 1MHz TO 100MHz

# RoHS Compliant

<b>X MULTIPLE</b>		CONNECTING THE INFORMATION AGE	
X MULTIPLE ASIA 4F, No. 347, Yang Guang St., Neihu Chiu, Taipei, Taiwan 11475		X MULTIPLE USA 1420 Los Angeles Ave., Suite G, Simi Valley, CA 93065	
THIS DRAWING IS A CONTROLLED DOCUMENT.			
TITLE: RJ45+USB A Type Daul, w/LED, w/Filter 10/100 Mbps, 8P,6C, Shielded, Thru-Hole		CUSTOMER/NO: DWG NO: XRJB-K60-X-E24-01	
PART NO: XRJB-K60-X-E24-01		DRAWN: TARA	
		CHKD: JEFF	
		DATE: 26/10/05	
UNIT mm[inch]	SHEET 3 of 3	REV 01	

1

2

3

4

5

6

7

8