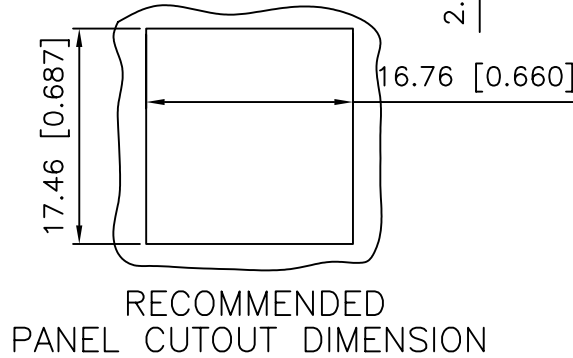
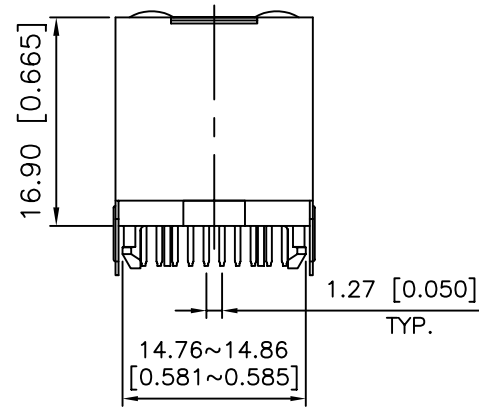
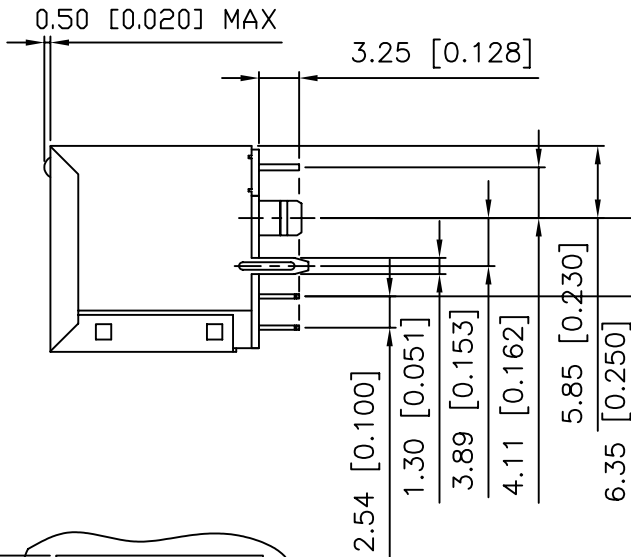
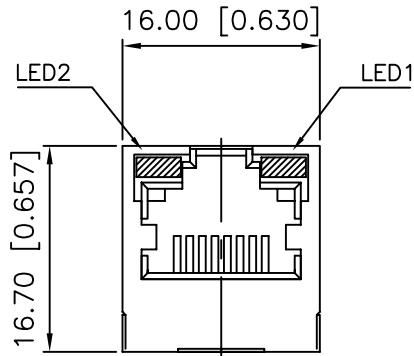


1. MECHANICAL DIMENSIONS :

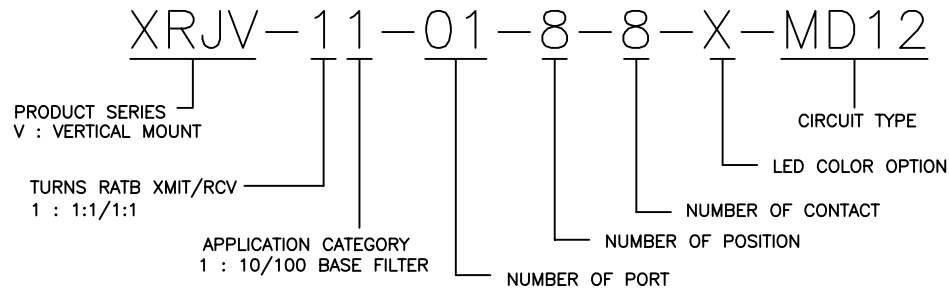


NOTES:

- MATERIALS:**
 HOUSING—PBT POLYESTER UL94V-0
 MIXED 30% GLASS FIBER.
 STANDARD COLOR—BLACK.

 CONTACTS—0.35mm THICK PHOS—BRONZE PLATED
 WITH 30u" GOLD IN CONTACT AREA
 , 100u" TIN IN SOLDER AREA,
 AND 50u" NICKEL IN ALL AREA.

 SHIELD—0.25mm THICK COPPER ALLOY,
 PLATED WITH NICKEL.
- CAVITY CONFIRMS TO FCC RULES AND REGULATIONS
 PART 68,SUBPART F.**
- UNSPECIFIED TOLERANCE: .XX ±0.25[0.010]
 .X ±0.30[0.012]**

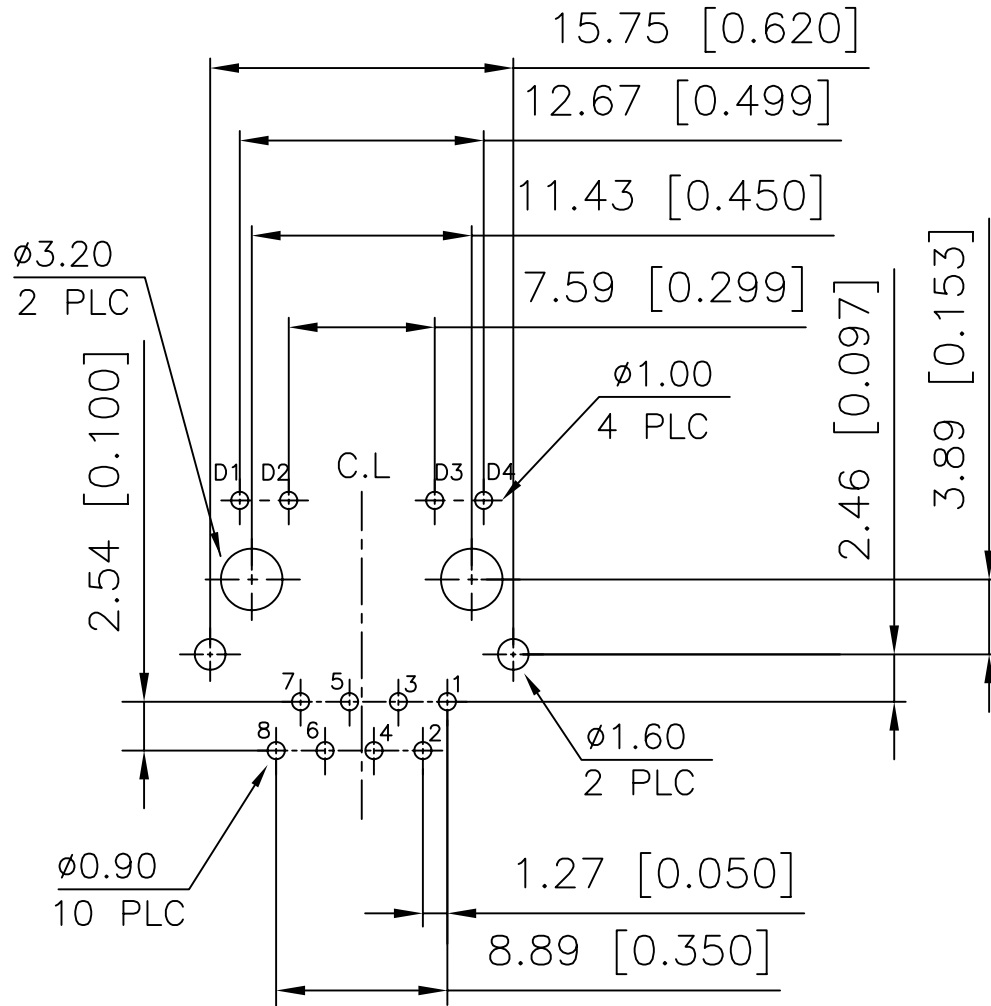


RoHS Compliant

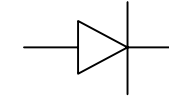
X MULTIPLE		CONNECTING THE INFORMATION AGE	
XMULTIPLE ASIA 4F, No. 347, Yang Guang St., Neihu Chiu, Taipei, Taiwan 11475		XMULTIPLE USA 1420 Los Angeles Ave., Suite G, Simi Valley, CA 93065	
THIS DRAWING IS A CONTROLLED DOCUMENT.		G/NO:	
TITLE: RJ45 Jack, Vertical Mount, W/LED, 8P, 8C, Shielded/Thru Hole/10/100 Mbps LAN Magnetics		DWG NO: XRJV-11-01-8-8-X-MD12	
PART NO: XRJV-11-01-8-8-X-MD12		DRAWN: TARA	
		CHKD: JEFF	
		DATE: 28/10/05	
UNIT mm[inch]	SHEET 1 of 3	REV 01	DATE

2. PCB LAYOUT :

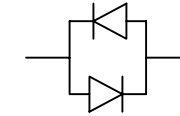
3. LED CONFIGURATION :



SUGGESTED PCB LAYOUT
(TOP VIEW)



SINGLE-COLOR LED



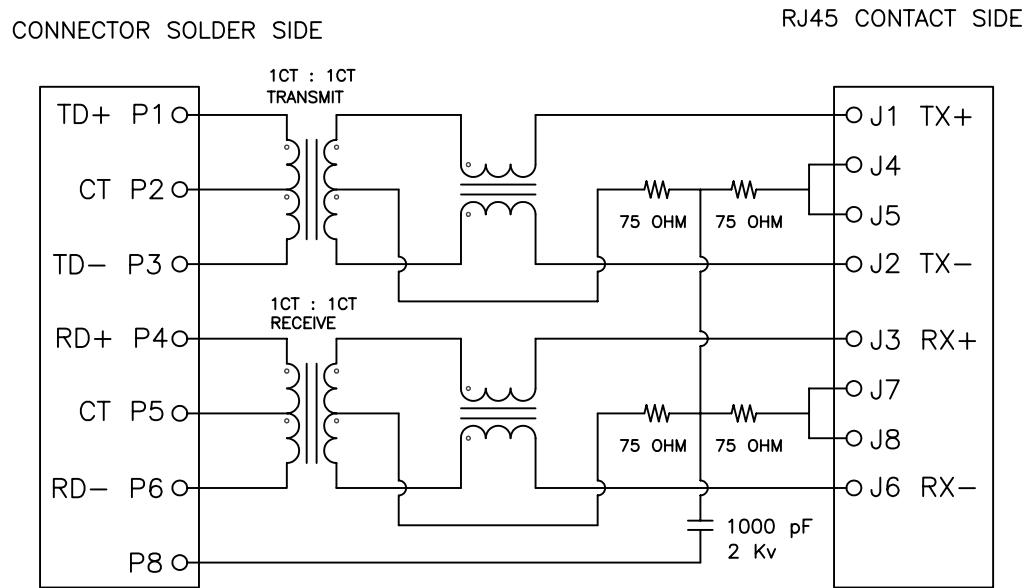
BI-COLOR LED

Color	Lens Color	Vf(v) @20mA		Iv(mcd) @10mA		Viewing angle
		Min	Max	Min	Typ	
						2θ 1/2

RoHS Compliant

X MULTIPLE		CONNECTING THE INFORMATION AGE	
XMULTIPLE ASIA 4F, No. 347, Yang Guang St., Neihu Chiu, Taipei, Taiwan 11475		XMULTIPLE USA 1420 Los Angeles Ave., Suite G, Simi Valley, CA 93065	
THIS DRAWING IS A CONTROLLED DOCUMENT.		G/NO:	
TITLE: RJ45 Jack, Vertical Mount, W/LED, 8P, 8C, Shielded/Thru Hole/10/100 Mbps LAN Magnetics		DWG NO: XRJV-11-01-8-8-X-MD12	
PART NO: XRJV-11-01-8-8-X-MD12		DRAWN: TARA	
		CHKD: JEFF	
UNIT: mm[inch]		SHEET: 2 of 3	
REV: 01		DATE: 28/10/05	

4. SCHEMATIC:



5. ELECTRICAL CHARACTERISTICS :

TEST NOTES:(25±5°C)

1.TR:(100KHz,0.1V);

PINS:(P1-P3):(J1-J2)=1:1±3%

PINS:(P4-P6):(J3-J6)=1:1±3%

2.LX:(100KHz,100mV,8mA, DC Bias)

PINS: (P1,P3),(P4,P6)=350uH MINIMUM

3.DCR:

PINS:(P1-P3),(J1-J2),(J3-J6)= 1.0 OHMS MAXIMUM

PINS:(P4-P6)=1.2 OHMS MAXIMUM

4.HIPOT:

PINS(P1,P2,P3)TO(J1,J2)=1500VAC FOR 60 SECONDS

PINS(P4,P5,P6)TO(J3,J6)=1500VAC FOR 60 SECONDS

5.INSERTION LOSS:

-1.0dB MAXIMUM AT 0.3MHz TO 100MHz;

6.RETURN LOSS:

-20dB MINIMUM AT 1MHz TO 30MHz;

-15dB MINIMUM AT 30MHz TO 60MHz

-10dB MINIMUM AT 60MHz TO 80MHz

7.CROSS TALK:

-30dB MINIMUM AT 1MHz TO 100MHz

8.COMMON TO COMMON MODE REJECTION:

-30dB MINIMUM AT 1MHz TO 100MHz

RoHS Compliant

XMULTIPLE		CONNECTING THE INFORMATION AGE	
XMULTIPLE ASIA 4F, No. 347, Yang Guang St., Neihu Chiu, Taipei, Taiwan 11475		XMULTIPLE USA 1420 Los Angeles Ave., Suite G, Simi Valley, CA 93065	
THIS DRAWING IS A CONTROLLED DOCUMENT.		G/NO:	
TITLE: RJ45 Jack, Vertical Mount, W/LED, 8P, 8C, Shielded,Thru Hole/10/100 Mbps LAN Magnetics		DWG NO: XRJV-11-01-8-8-X-MD12	
PART NO: XRJV-11-01-8-8-X-MD12		DRAWN: TARA	
		CHKD: JEFF	
		DATE: 28/10/05	
UNIT mm[inch]	SHEET 3 of 3	REV 01	