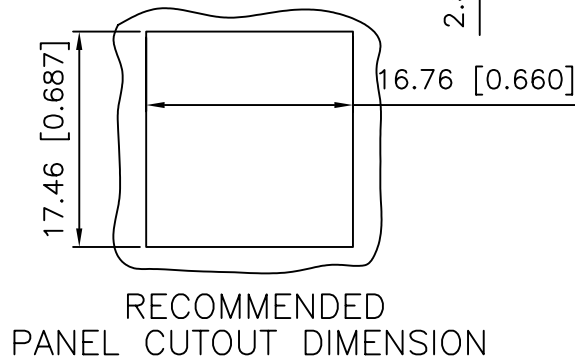
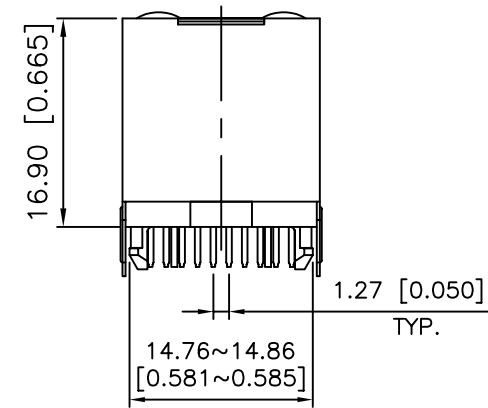
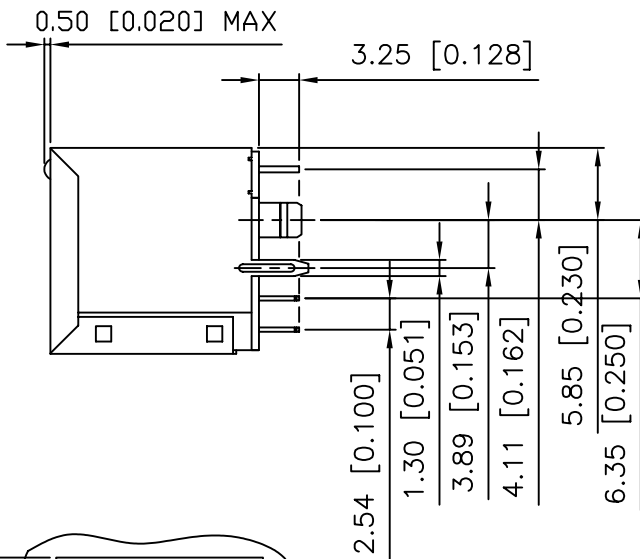
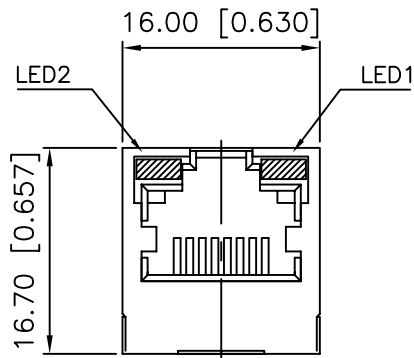
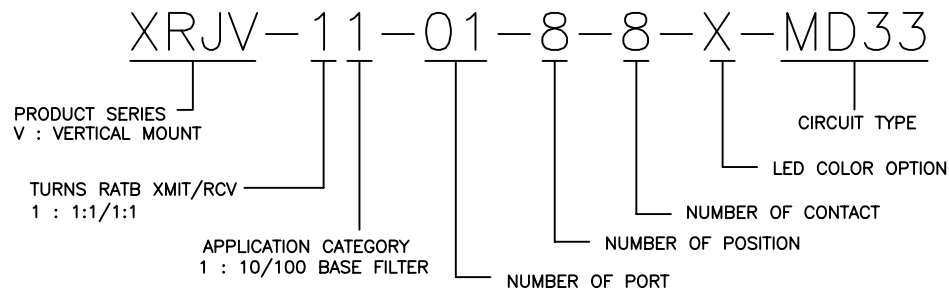


# 1. MECHANICAL DIMENSIONS :



## NOTES:

- MATERIALS:**  
 HOUSING—PBT POLYESTER UL94V-0  
 MIXED 30% GLASS FIBER.  
 STANDARD COLOR—BLACK.  
  
 CONTACTS—0.35mm THICK PHOS—BRONZE PLATED  
 WITH 30u" GOLD IN CONTACT AREA  
 , 100u" TIN IN SOLDER AREA,  
 AND 50u" NICKEL IN ALL AREA.  
  
 SHIELD—0.25mm THICK COPPER ALLOY,  
 PLATED WITH NICKEL.
- CAVITY CONFIRMS TO FCC RULES AND REGULATIONS  
 PART 68,SUBPART F.**
- UNSPECIFIED TOLERANCE: .XX ±0.25[0.010]  
 .X ±0.30[0.012]**

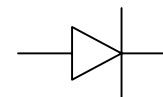
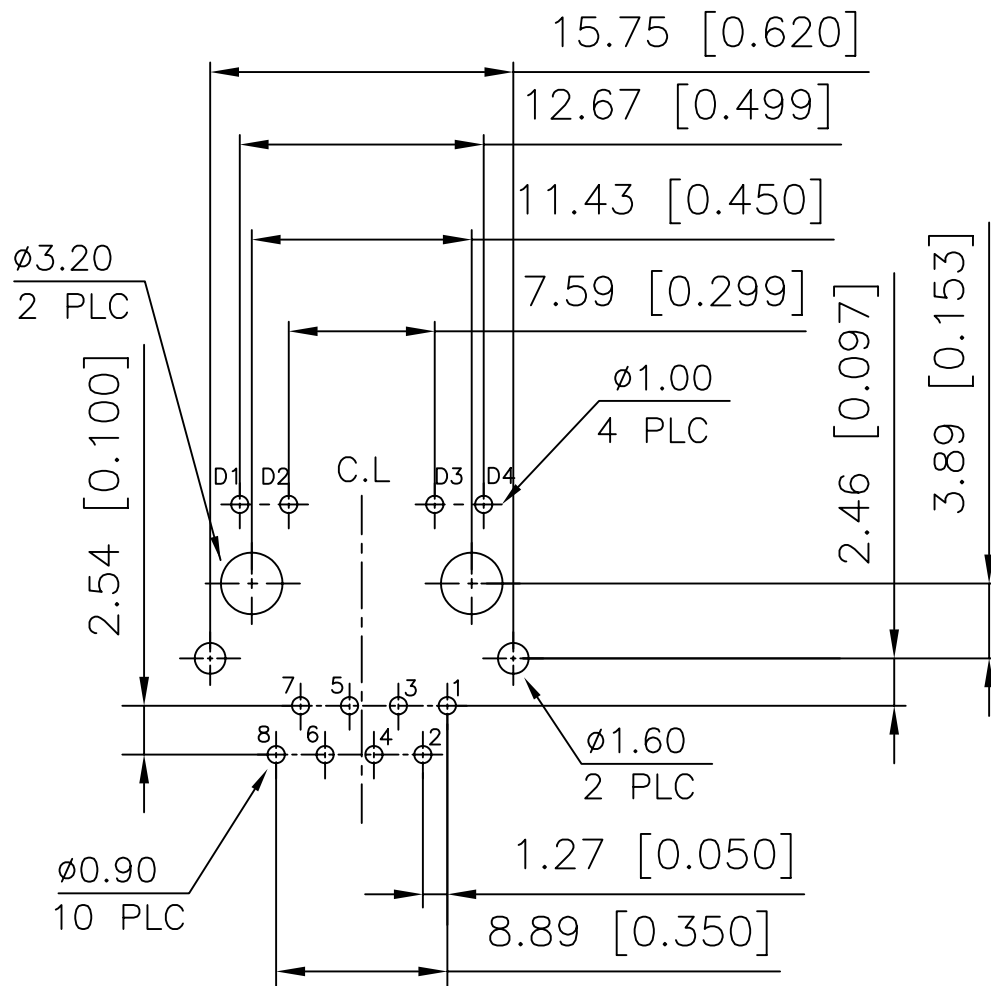


# RoHS Compliant

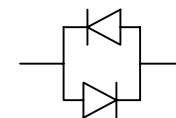
X MULTIPLE		CONNECTING THE INFORMATION AGE	
XMULTIPLE ASIA 4F, No. 347, Yang Guang St., Neihu Chiu, Taipei, Taiwan 11475		XMULTIPLE USA 1420 Los Angeles Ave., Suite G, Simi Valley, CA 93065	
THIS DRAWING IS A CONTROLLED DOCUMENT.		G/NO:	
TITLE: RJ45 Jack, Vertical Mount, W/LED, 8P, 8C, Shielded/Thru Hole/10/100 Mbps LAN Magnetics		DWG NO: XRJV-11-01-8-8-X-MD33	
PART NO: XRJV-11-01-8-8-X-MD33		DRAWN: TARA	
		CHKD: JEFF	
		DATE: 28/10/05	
UNIT mm[inch]	SHEET 1 of 3	REV 01	DATE

## 2. PCB LAYOUT :

## 3. LED CONFIGURATION :



SINGLE-COLOR LED



BI-COLOR LED

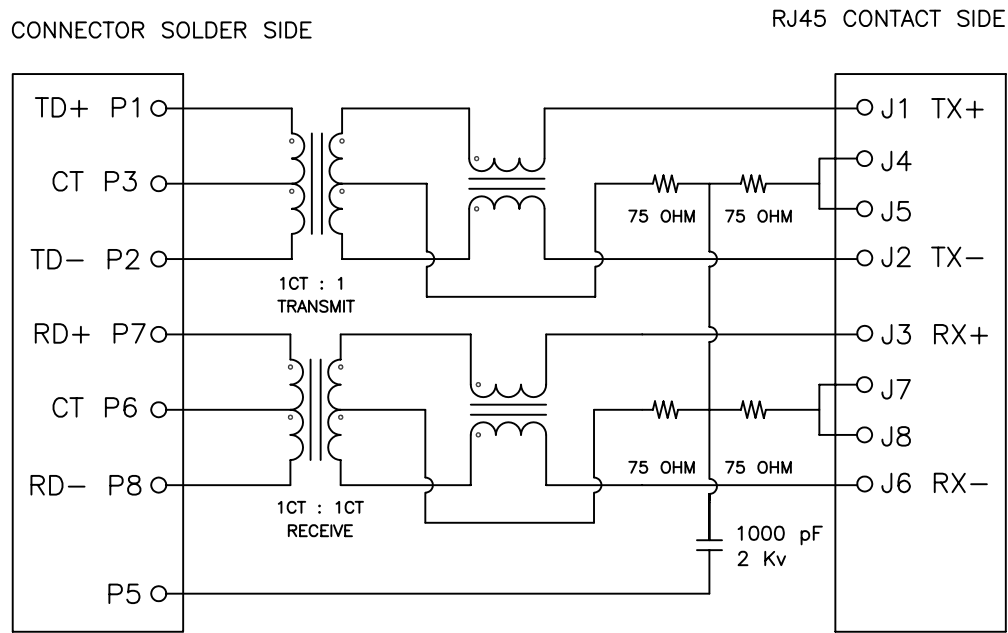
Color	Lens Color	Vf(v) @20mA		Iv(mcd) @10mA		Viewing angle
		Min	Max	Min	Typ	
						2θ 1/2

RoHS Compliant

SUGGESTED PCB LAYOUT  
(TOP VIEW)

		CONNECTING THE INFORMATION AGE		
				X MULTIPLE USA 1420 Los Angeles Ave., Suite G, Simi Valley, CA 93065
X MULTIPLE ASIA 4F, No. 347, Yang Guang St., Neihu Chiu, Taipei, Taiwan 11475		G/NO:		
THIS DRAWING IS A CONTROLLED DOCUMENT.				DWG NO: XRJV-11-01-8-8-X-MD33
TITLE: RJ45 Jack, Vertical Mount, W/LED, 8P, 8C, Shielded/Thru Hole/10/100 Mbps LAN Magnetics		DRAWN: TARA		
PART NO: XRJV-11-01-8-8-X-MD33		CHKD: JEFF		
		UNIT mm[inch]	SHEET 2 of 3	REV 01
		DATE: 28/10/05		

#### 4. SCHEMATIC:



#### 5. ELECTRICAL CHARACTERISTICS :

TEST NOTES:(25±5°C)

1.TR:(100KHz,0.1V);

PINS:(P1-P2):(J1-J2)=1:1±3%

PINS:(P7-P8):(J3-J6)=1:1±3%

2.LX:(100KHz,100mV,8mA, DC Bias)

PINS: (P1,P2),(P7,P8)=350uH MINIMUM

3.DCR:

PINS:(P1-P2),(J1-J2),(J3-J6)= 1.0 OHMS MAXIMUM

PINS:(P7-P8)=1.2 OHMS MAXIMUM

4.HIPOT:

PINS(P1,P3,P2)TO(J1,J2)=1500VAC FOR 60 SECONDS

PINS(P7,P6,P8)TO(J3,J6)=1500VAC FOR 60 SECONDS

5.INSERTION LOSS:

-1.0dB MAXIMUM AT 0.3MHz TO 100MHz;

6.RETURN LOSS:

-20dB MINIMUM AT 1MHz TO 30MHz;

-15dB MINIMUM AT 30MHz TO 60MHz

-10dB MINIMUM AT 60MHz TO 80MHz



7.CROSS TALK:

-30dB MINIMUM AT 1MHz TO 100MHz

8.COMMON TO COMMON MODE REJECTION:

-30dB MINIMUM AT 1MHz TO 100MHz

# RoHS Compliant

<b>XMULTIPLE</b>		CONNECTING THE INFORMATION AGE	
XMULTIPLE ASIA 4F, No. 347,Yang Guang St., Neihu Chiu , Taipei , Taiwan 11475		XMULTIPLE USA 1420 Los Angeles Ave., Suite G, Simi Valley, CA 93065	
THIS DRAWING IS A CONTROLLED DOCUMENT.		G/NO:	
TITLE: RJ45 Jack, Vertical Mount, W/LED, 8P, 8C, Shielded,Thru Hole/10/100 Mbps LAN Magnetics		DWG NO: XRJV-11-01-8-8-X-MD33	
PART NO: XRJV-11-01-8-8-X-MD33		DRAWN: TARA	
 		UNIT	SHEET
		mm[inch ]	3 of 3
		REV	DATE:
		01	28/10/05