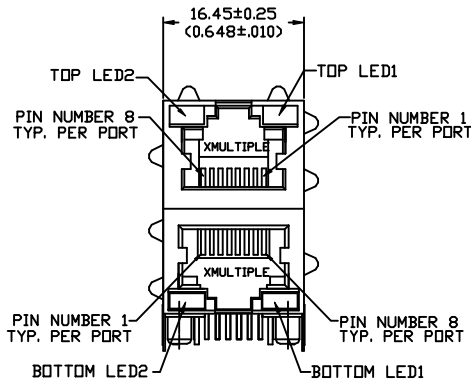
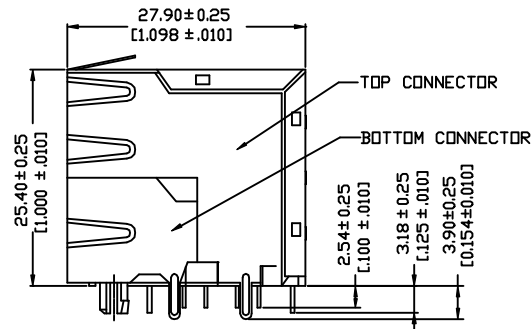


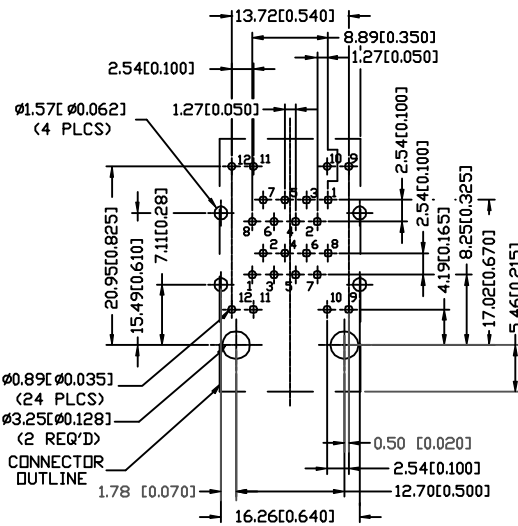
REVISIONS					
ECO	ZONE	REV	DESCRIPTION	DATE	APPROVED
		J1	REVISED RELEASE	07/31/01	Chen



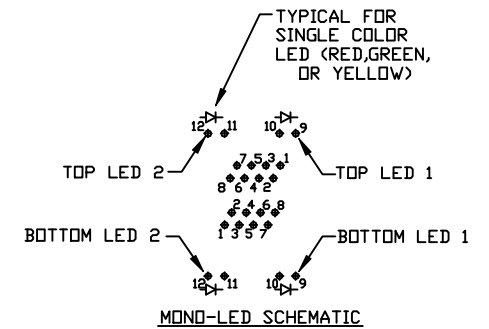
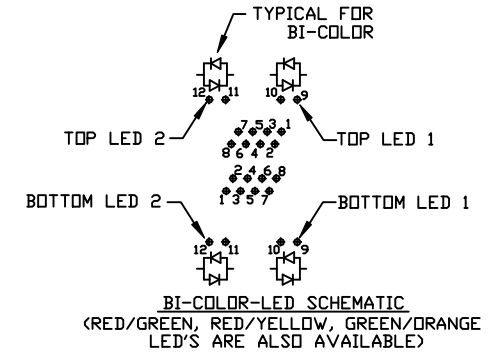
FRONT VIEW



SIDE VIEW



SUGGESTED PCB LAYOUT
(COMPONENT SIDE)



1. MATERIALS:
HOUSING: HIGH TEMP. THERMOPLASTIC, BLACK, UL 94V-0
CONTACTS: 0.014 INCHES (0.35 MILLIMETERS) THICK PHOSPHOR BRONZE PLATED WITH
150 MICRONS (3.81 MICROMETERS) MINIMUM THICK TIN LEAD IN SOLDER AREA.
15 MICRONS (0.38 MICROMETERS) MINIMUM GOLD IN LOCALIZED PLATE AREA.
ENTIRE CONTACTS PLATED WITH 50 MICRONS (1.27 MICROMETERS) MINIMUM THICK NICKEL.
SHIELDED: 0.0098 INCHES (0.25 MILLIMETERS) THICK COPPER ZINC ALLOY PLATED WITH
30 MICRONS (0.762 MICROMETERS) MINIMUM THICK NICKEL.

2. JACK CAVITY CONFORMS TO FCC RULES AND REGULATIONS PART 68, SUBPART F

3. PART NUMBER: XRJD-S-21-8-8-X

REFER TO LED OPTIONS TABLE FOR ORDERING CODES

NOTES: UNLESS OTHERWISE SPECIFIED
UNSPECIFIED TOLERANCE: .XX±0.01[0.25]
.X±0.008[0.15]

XMULTIPLE		CONNECTING THE INFORMATION AGE	
XMULTIPLE ASIA 11F-1 No. 70, Fu-Hsing H. Road Taipei, Taiwan, R.O.C.	XMULTIPLE USA 3858 Old County Road Newbury Park, CA 91380	AWD:	
THIS DRAWING IS A CONTROLLED DOCUMENT.		DWG NO:	FD0824-KR021
TITLE: Stacked RJ45 Connectors, W/LED, 8P, 8C, Shielded, Thru Hole, 2 Piece Structure		DRAWN:	VIQ
PART NO: XRJD-S-21-8-8-X		DWG:	C.TSAI
	DIMENSIONS	SHEET	REV
	[mm]inch	1 of 1	J1
		DATE:	07/31/01