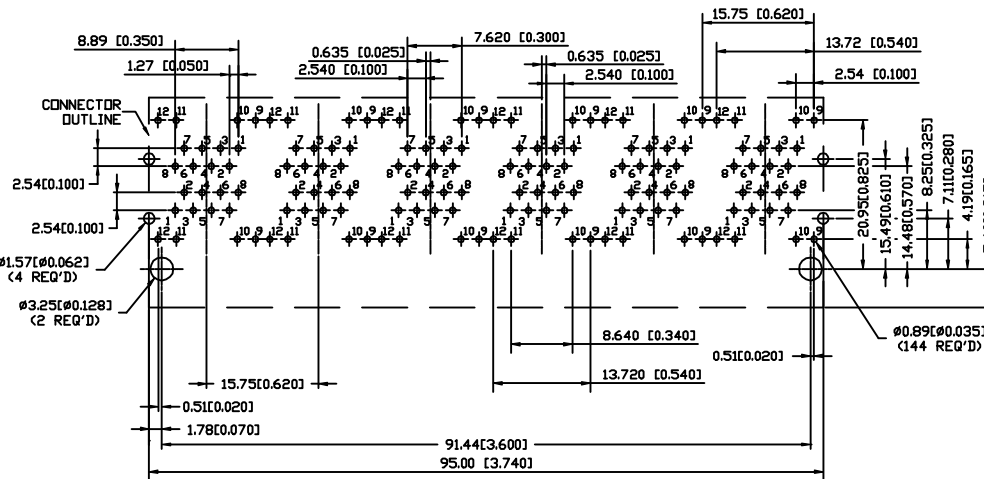
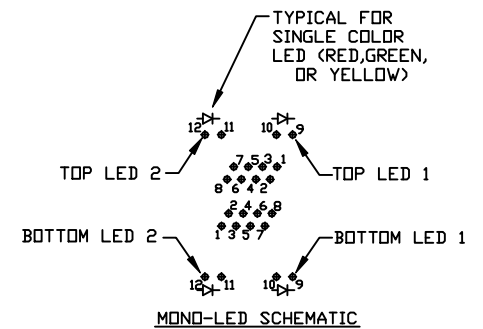
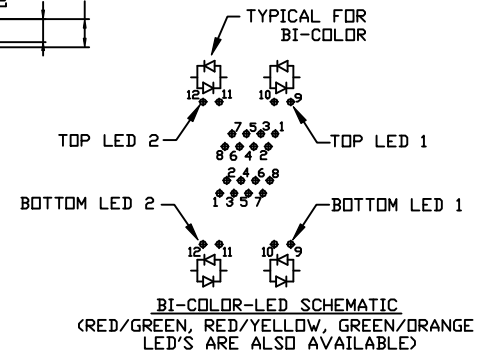
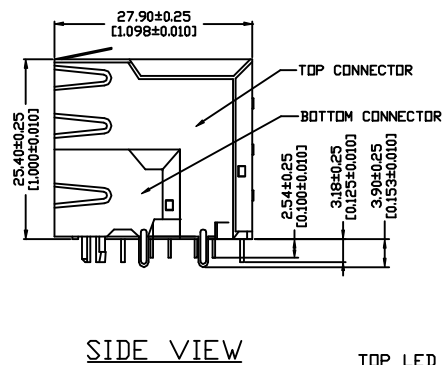
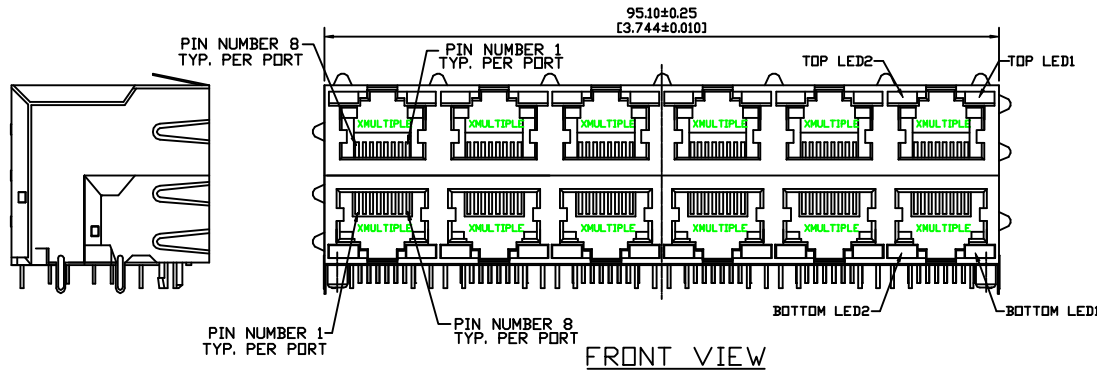


| REVISIONS | | | | | |
|-----------|------|-----|-----------------|----------|----------|
| ECO | ZONE | REV | DESCRIPTION | DATE | APPROVED |
| | | J1 | REVISED RELEASE | 07/31/01 | Chen |



- MATERIALS:
HOUSING: HIGH TEMP. THERMOPLASTIC, BLACK, UL 94V-0
CONTACTS: 0.014 INCHES (0.35 MILLIMETERS) THICK PHOSPHOR BRONZE PLATED WITH 150 MICRONS (3.81 MICROMETERS) MINIMUM THICK TIN LEAD IN SOLDER AREA.
15 MICRONS (0.38 MICROMETERS) MINIMUM GOLD IN LOCALIZED PLATE AREA.
ENTIRE CONTACTS PLATED WITH 50 MICRONS (1.27 MICROMETERS) MINIMUM THICK NICKEL.
SHIELDED: 0.0098 INCHES (0.25 MILLIMETERS) THICK COPPER ZINC ALLOY PLATED WITH 30 MICRONS (0.762 MICROMETERS) MINIMUM THICK NICKEL.

2. JACK CAVITY CONFORMS TO FCC RULES AND REGULATIONS PART 68, SUBPART F

3. PART NUMBER: XRJD-S-26-8-8-X

REFER TO LED OPTIONS TABLE FOR ORDERING CODES

NOTES: UNLESS OTHERWISE SPECIFIED
UNSPECIFIED TOLERANCE: .XX ± 0.010 [0.25]
.X ± 0.006 [0.15]

| | | |
|---------------------------------------------------------------------------------------|--------------------------------------------------------------|--------------------------------|
| XMULTIPLE | | CONNECTING THE INFORMATION AGE |
| XMULTIPLE ASIA 11P-1, No. 70, P.O. Box 11, Road 11, Hsinchu, Taiwan, R.O.C. | XMULTIPLE USA 3956 Old County Road, Newport, PA, PA 15960 | DRW NO: P00524-XR021 |
| THIS DRAWING IS A CONTROLLED DOCUMENT. | | |
| TITLE: Stacked RJ45 Connectors, w/LED, 8P, 8C, Shielded, Thru Hole, 2 Piece Structure | | DRW: VIQ |
| PART NO: XRJD-S-26-8-8-X | | DRW: C. TSAI |
| | DIMENSIONS | SHEET |
| | [mm] inch | 1 of 1 |
| | REV | DATE |
| | J1 | 07/31/01 |