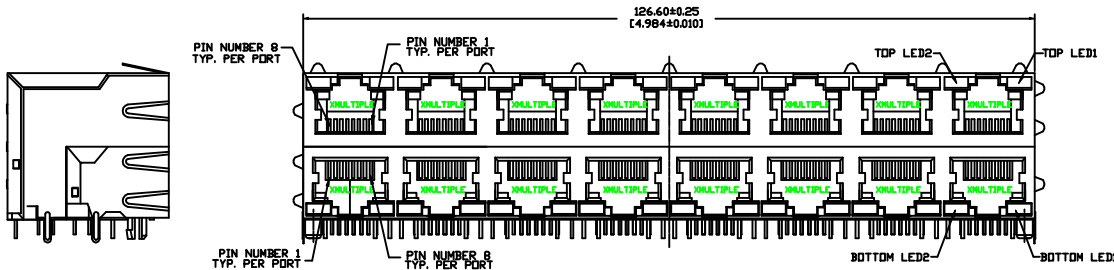
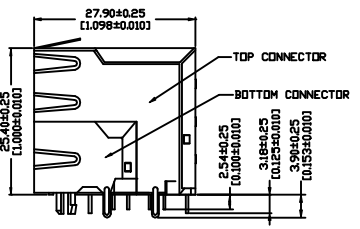


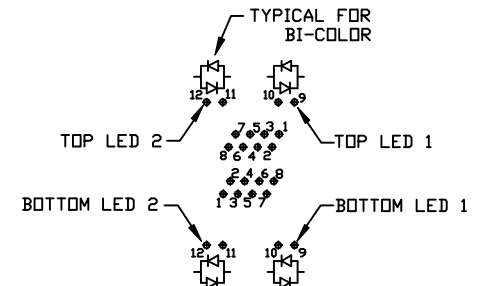
| REVISIONS | | | | | |
|-----------|------|-----|-----------------|----------|----------|
| ECO | ZONE | REV | DESCRIPTION | DATE | APPROVED |
| | | J1 | REVISED RELEASE | 07/31/01 | Chen |



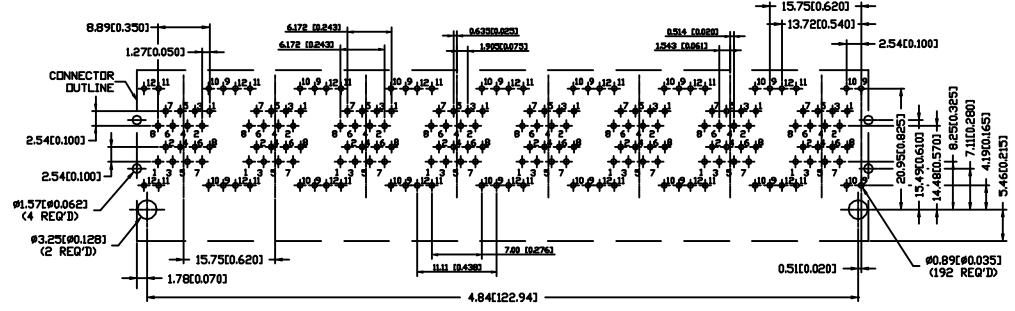
FRONT VIEW



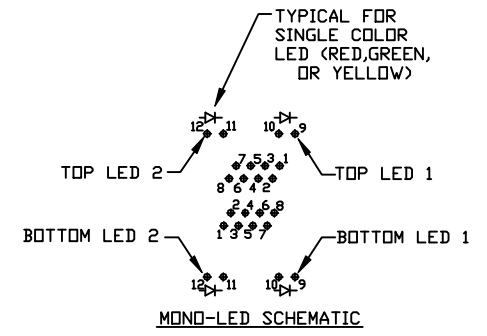
SIDE VIEW



BI-COLOR-LED SCHEMATIC
(RED/GREEN, RED/YELLOW, GREEN/DRANGE LED'S ARE ALSO AVAILABLE)



SUGGESTED PCB LAYOUT
(COMPONENT SIDE)



MONO-LED SCHEMATIC

1. MATERIALS:
HOUSING: HIGH TEMP. THERMOPLASTIC, BLACK, UL 94V-0
CONTACTS: 0.014 INCHES (0.35 MINIMETERS) THICK PHOSPHOR BRONZE PLATED WITH 150 MICRONS (3.81 MICROMETERS) MINIMUM THICK TIN LEAD IN SOLDER AREA
15 MICRONS (0.38 MICROMETERS) MINIMUM GOLD IN LOCALIZED PLATE AREA
ENTIRE CONTACTS PLATED WITH 50 MICRONS (1.27 MICROMETERS) MINIMUM THICK NICKEL.
SHIELDED: 0.0098 INCHES (0.25 MINIMETERS) THICK COPPER ZINC ALLOY PLATED WITH 30 MICRONS (0.762 MICROMETERS) MINIMUM THICK NICKEL.

2. JACK CAVITY CONFORMS TO FCC RULES AND REGULATIONS PART 68, SUBPART F
3. PART NUMBER: XRJD-S-28-8-9-X

REFER TO LED OPTIONS TABLE FOR ORDERING CODES

NOTES: UNLESS OTHERWISE SPECIFIED
UNSPECIFIED TOLERANCE: .XX±0.01[0.25]
.x±0.006[0.15]

| | | | |
|--|--|---|---|
| | | CONNECTING THE INFORMATION AGE | |
| | | XMULTIPLE ASIA 11F-11A, 7D, Fu-Hsing K. Road Taipei, Taiwan, R.O.C. | XMULTIPLE USA 3548 Old County Road Newbury Park, CA 91380 |
| THIS DRAWING IS A CONTROLLED DOCUMENT. | | | |
| TITLE: Stacked RJ45, Connectors, W/LED,8P,8C, Shielded, Thru Hole, 2 Piece Structure | | DWG NO: P00524-XRJD21 DRAWN: VIQ | |
| PART NO: XRJD-S-28-8-8-X | | C. TSAI | |
| | | DIMENSIONS [mm]inch | SHEET 1 of 1 |
| | | REV J1 | DATE 07/31/01 |