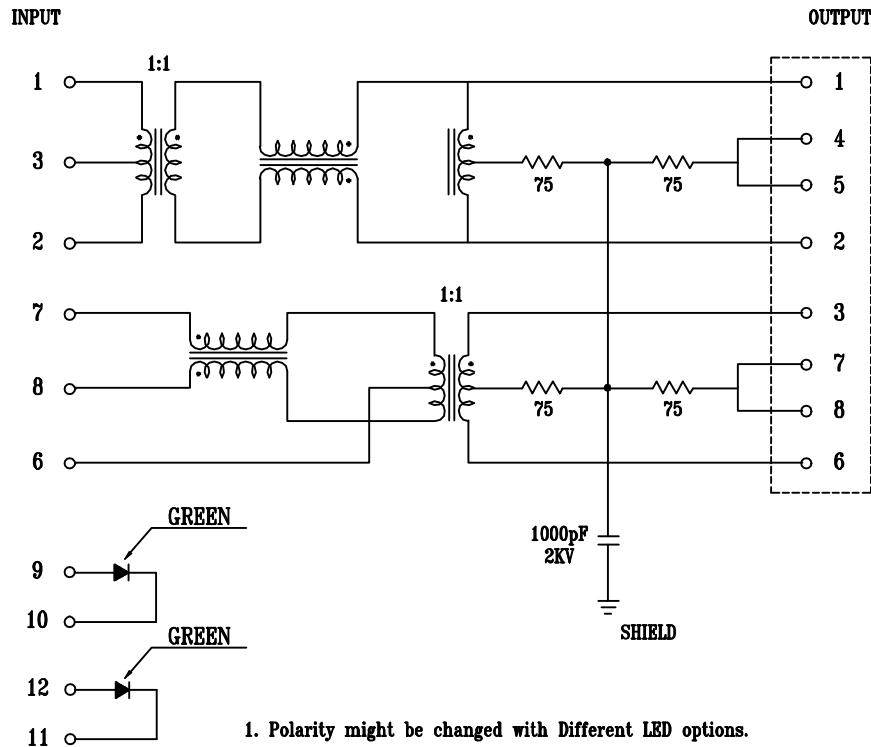
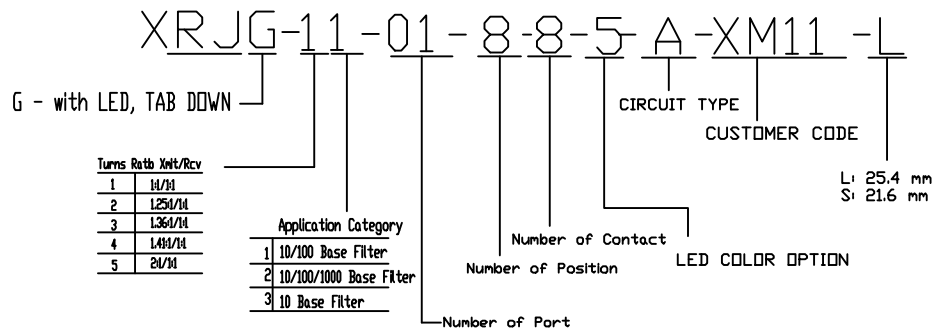


2. SCHEMATIC:



1. Polarity might be changed with Different LED options.
2. Consult our sales REP. for the polarity of Different LED options.



3. ELECTRICAL CHARACTERISTICS :

3-1. TRANSMITTER FILTER

TYPE: BALANCE LOW PASS 100 OHM IMPEDANCE NOM
 INSERTION LOSS: 1-100 MHZ -1.0dB MAX.
 RETURN LOSS: 1-30 MHZ -20dB MIN. LOAD 100 OHM
 30-60 MHZ -15dB MIN. LOAD 100 OHM
 60-80 MHZ -11dB MIN. LOAD 100 OHM

3-2. RECEIVER FILTER

TYPE: BALANCE LOW PASS 100 OHM IMPEDANCE NOM
 INSERTION LOSS: 1-100 MHZ -1.0dB MAX.
 RETURN LOSS: 1-30 MHZ -20dB MIN. LOAD 100 OHM
 30-60 MHZ -17dB MIN. LOAD 100 OHM
 60-80 MHZ -15dB MIN. LOAD 100 OHM

3-3. COMMON MODE REJECTION :

@1-100 MHZ -30dB MIN.

3-4. CROSS TALK :

@1-100 MHZ -30dB MIN.

3-5. PRIMARY INDUCTANCE @100KHZ, 0.1Vrms, 8mA DC BIAS

(1-2), (7-8) : 350uH MIN.

3.6 HiPot TEST:

Input(1-2) to Output(1-2) : 1500Vrms, 60sec
 Input(7-8) to Output(3-6) : 1500Vrms, 60sec

XRJG-1-01-8-8-X

Turns Ratio Xmt/Rcv

1	14/14
2	125/14
3	136/14
4	141/14
5	21/14

XMULTIPLE		CONNECTING THE INFORMATION AGE
XMULTIPLE ASIA SP. No. 60, Potham St., Telok, 104, Telok.	XMULTIPLE USA 3688 Old Conajo Road Newbury Park, CA 91380	AWC: 1A08T089P2
THIS DRAWING IS A CONTROLLED DOCUMENT.		
TITLE: RJ45, Connectors, W/LED, 8P, 8C, Shielded/Thru Hole/10/100Mbps/FILTER		
PART NO: XRJG-11-01-8-8-X	DATE: 07/31/01	DRWING: DENISO702RIG
DIMENSIONS MM/INCH	SHEET 2 of 2	REV E1
CIRCUIT TYPE		CHKD: C. TSAI