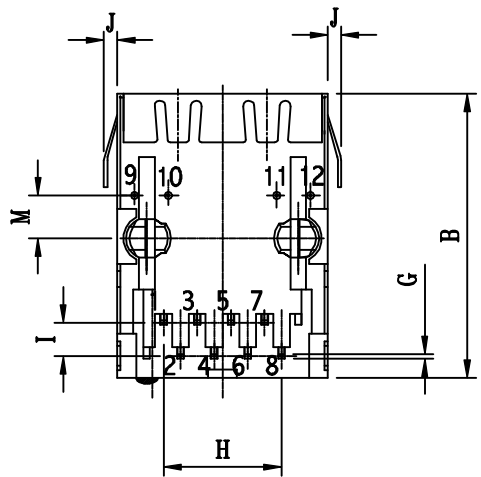
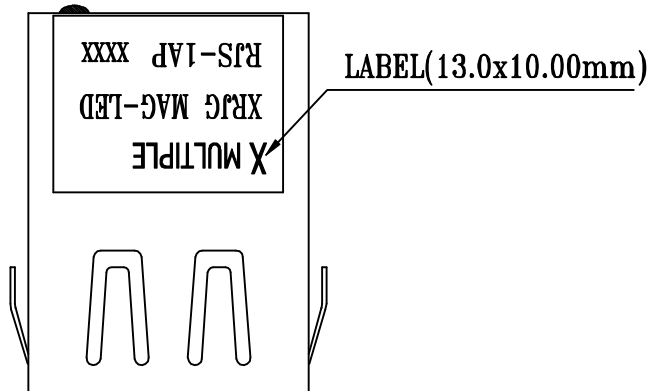
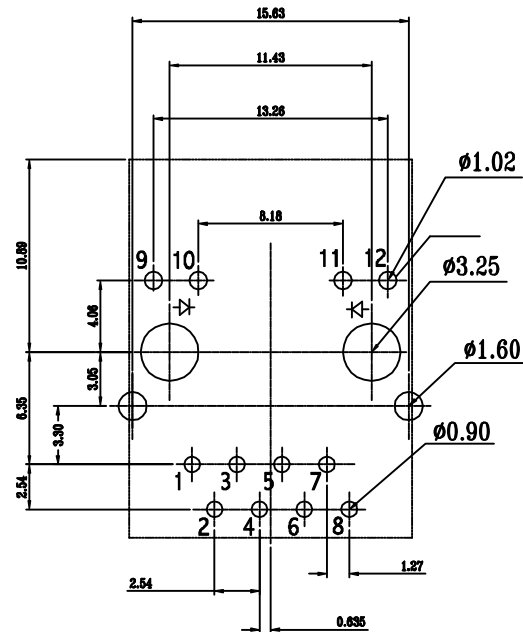


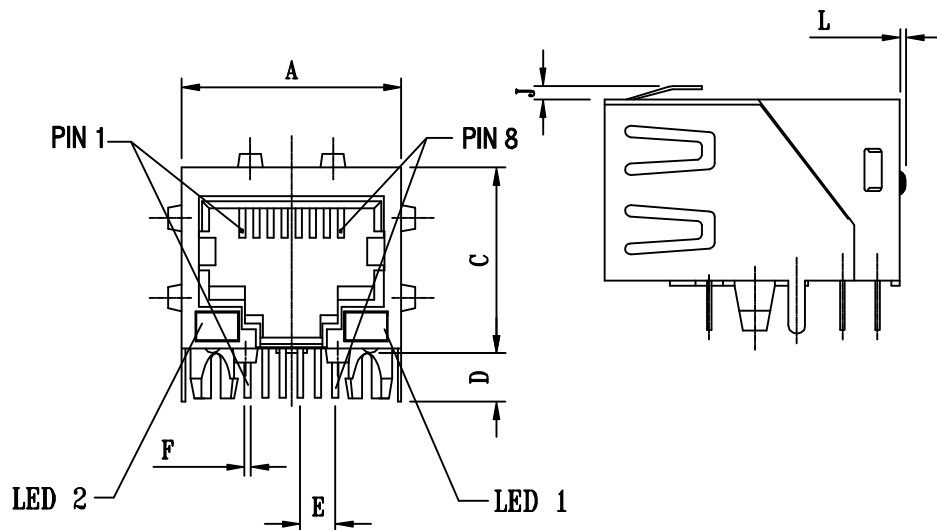
1. MECHANICAL DIMENSIONS :



BOTTOM VIEW



RECOMMENDED P.C.B LAYOUT:  
(SOLDER SIDE)



UNIT : mm / inch

- A = 15.88±0.254 / 0.625±0.010
- B = 21.60±0.254 / 0.850±0.010
- C = 13.45±0.254 / 0.530±0.010
- D = 3.50±0.254 / 0.138±0.010
- E = 2.54 / 0.100 (TYP)
- F = 0.50±0.127 / 0.020±0.005
- G = 0.35±0.127 / 0.014±0.005
- H = 8.89 / 0.350 (TYP)
- I = 2.54 / 0.100 (TYP)
- J = 1.00±0.18 / 0.039±0.007
- L = 0.90 / 0.035 MAX
- M = 4.06 / 0.160 (TYP)

<b>XMULTIPLE</b>		CONNECTING THE INFORMATION AGE	
<small>XMULTIPLE ASIA                  SF. No. 45, Taiwan St.,                  Taipei, 104, Taiwan</small>		<small>XMULTIPLE USA                  8099 Old County Road,                  Newbury Park, CA 91380</small>	
<small>THIS DRAWING IS A CONTROLLED DOCUMENT.</small>		<small>DRG NO: 1A08T089P2</small>	
<small>TITLE: RJ45, Connectors, w/LED, 8P, 8C,                  Shielded/Thru Hole/10/100 Mbps FILTER</small>		<small>DRG REV: DENIS0702/06</small>	
<small>PART NO: XRJG-11-01-8-8-X</small>		<small>DRWR: VIQ</small>	
<small>DIMENSIONS</small>		<small>SHEET</small>	
<small>MM/INCH</small>		<small>REV</small>	
<small>1 of 2</small>		<small>DATE</small>	
<small>J</small>		<small>C. TSAI</small>	
<small>07/31/01</small>			