

| | CODE | LED 2 [LEFT] | LED 1 [RIGHT] |
|---|------|--------------|---------------|
| | 0 | BLOCKED | BLOCKED |
| | 1 | YELLOW | GREEN |
| | 2 | BLOCKED | GREEN |
| | 3 | YELLOW | BLOCKED |
| ☆ | 4 | GREEN | YELLOW |
| | 5 | GREEN | GREEN |
| | 6 | YELLOW | YELLOW |
| | 7 | OR/GR | OR/GR |
| | 8 | YE/GR | YE/GR |
| | 9 | OR/GR | YELLOW |

NOTES:

1. MATERIALS:

HOUSING—PBT POLYESTER UL94V-0
MIXED 30% GLASS FIBER.
STANDARD COLOR—BLACK.

CONTACTS—0.35mm THICK PHOS-BRONZE PLATED
WITH 30u" HARD GOLD IN CONTACT AREA
, 150u" TIN/LEAD IN SOLDER AREA,
AND 50u" NICKEL IN ALL AREA.

SHIELD—0.25mm THICK COPPER ALLOY,
PLATED WITH NICKEL.

2. ELECTRICAL:

INSULATION RESISTANCE: 500 MEGOHMS MINIMUM
CURRENT RATING: 1.5 AMPS
VOLTAGE RATING: 150 VOLTS AC

LED FAILINGS:

FORWARD DC CURRENT: 2mA
FORWARD VOLTAGE: 1.8 VOLTS TYPICAL
REVERSE VOLTAGE: 5 VOLTS MINIMUM
POWER DISSIPATION: GRN.=24mW;YELL.=36mW

**3. CAVITY CONFIRMS TO FCC RULES AND REGULATIONS
PART 68,SUBPART F.**

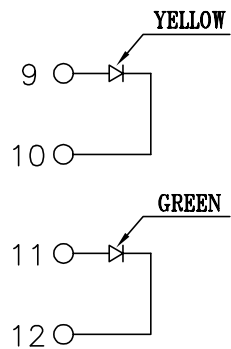
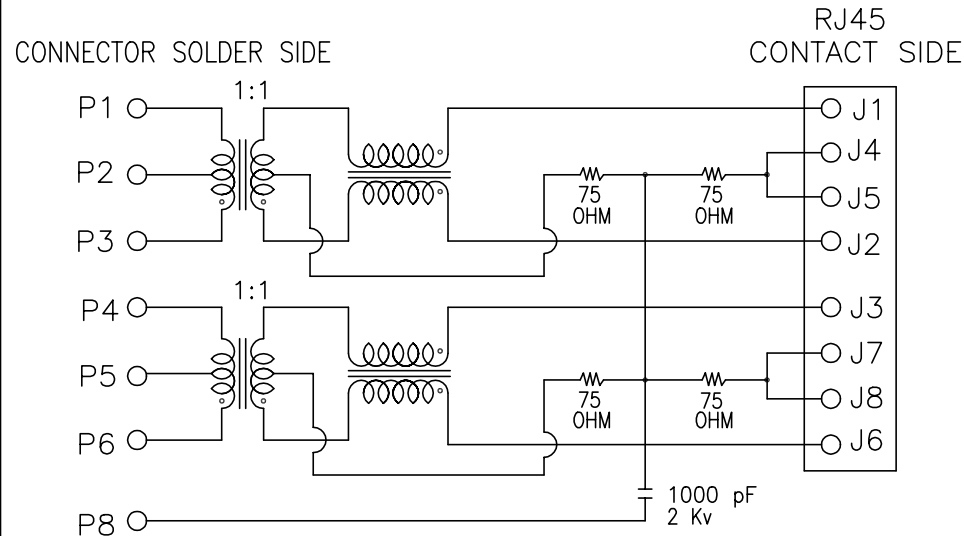
**4. UNSPECIFIED TOLERANCE: .XX ±0.25[0.010]
.X ±0.30[0.012]**

X MULTIPLE

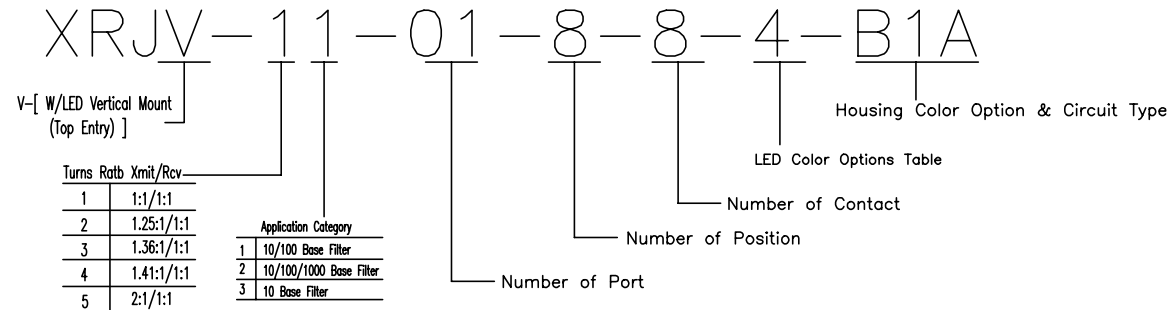
CONNECTING THE INFORMATION AGE

| | | |
|--------------------------------------------------------------------------------------------------|-------------------------------------------------------------------------|-------------------|
| XMULTIPLE ASIA 4F, No. 347, Yang Guang St., Neihu Chiu, Taipei, Taiwan 11475 | XMULTIPLE USA 543 Country Club Drive #B 128 Simi Valley, CA 93065 | |
| THIS DRAWING IS A CONTROLLED DOCUMENT. | | |
| TITLE: RJ45 Jack, Vertical Mount, W/LED, 8P, 8C, Shielded/Thru Hole/10/100 Mbps LAN Magnetics | | |
| PART NO: XRJV-11-01-8-8-4-B1A | | |
| | DIMENSIONS mm[inch] | SHEET 1 of 2 |
| | | REV A |
| | | DATE: 30/01/04 |

2. SCHEMATIC:



CORE TYPE : T1A



3. ELECTRICAL CHARACTERISTICS :

TEST NOTES:(25±5°C)

1.TR:(100KHz,0.1V);

PINS:(1-3):(J1-J2)=1:1±3%

PINS:(4-6):(J3-J6)=1:1±3%

2.LX:(100KHz,100mV,8mA, DC Bias)

PINS: (1,3),(4,6)=350uH MINIMUM

3.DCR:

PINS:(1-3),(J3-J6),(J1-J2)= 1.0 OHMS MAXIMUM

PINS:(4-6)=1.2 OHMS MAXIMUM

4.HIPOT:

PINS(1,2,3)TO(J1,J2)=1500VAC FOR 60 SECONDS

PINS(4,5,6)TO(J3,J6)=1500VAC FOR 60 SECONDS

5.CAPACITOR (1KHz,1V) :

SHIDL TO (J1-J8)=1300pF MAXIMUM AND 700pF MINIMUM

6. INSERTION LOSS:

-1.0dB MAXIMUM AT 0.1MHz TO 100MHz;

7. RETURN LOSS:

-20dB MINIMUM AT 1MHz TO 30MHz;

-15dB MINIMUM AT 30MHz TO 60MHz

-10dB MINIMUM AT 60MHz TO 80MHz

8. CROSS TALK:

-30dB MINIMUM AT 1MHz TO 100MHz

9. COMMON TO COMMON MODE REJECTION:

-30dB MINIMUM AT 1MHz TO 100MHz

| X MULTIPLE | | CONNECTING THE INFORMATION AGE | |
|--------------------------------------------------------------------------------------------------|--|--------------------------------------------------------------------------|--|
| X MULTIPLE ASIA 4F, No. 347, Yang Guang St., Neihu Chiu, Taipei, Taiwan 11475 | | X MULTIPLE USA 543 Country Club Drive #B 128 Simi Valley, CA 93065 | |
| THIS DRAWING IS A CONTROLLED DOCUMENT. | | G/NO: XRJV-11-01-8-8-4-B1A | |
| TITLE: RJ45 Jack, Vertical Mount, W/LED, 8P, 8C, Shielded/Thru Hole/10/100 Mbps LAN Magnetics | | DWG NO: XRJV-11-01-8-8-4-B1A | |
| PART NO: XRJV-11-01-8-8-4-B1A | | DRAWN: TARA | |
| | | CHKD: C. TSAI | |
| DIMENSIONS mm[inch] | | SHEET 2 of 2 | |
| | | REV A | |
| | | DATE: 30/01/04 | |