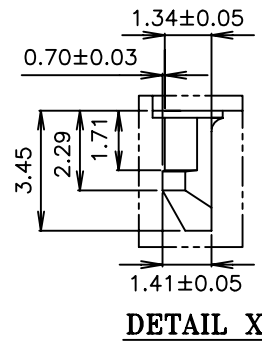
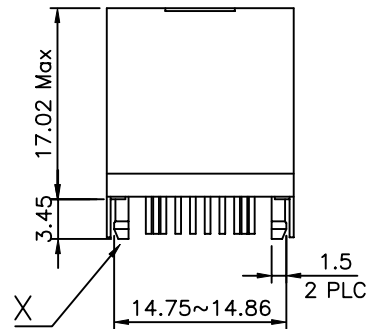
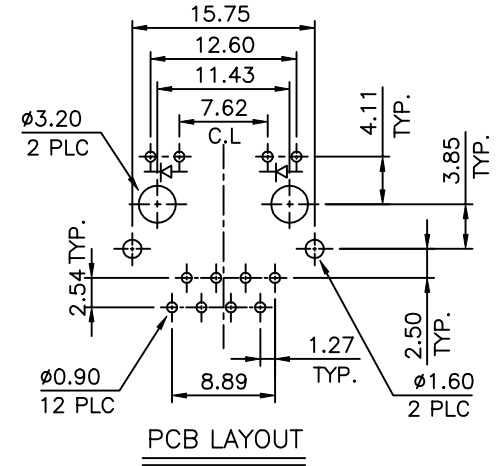
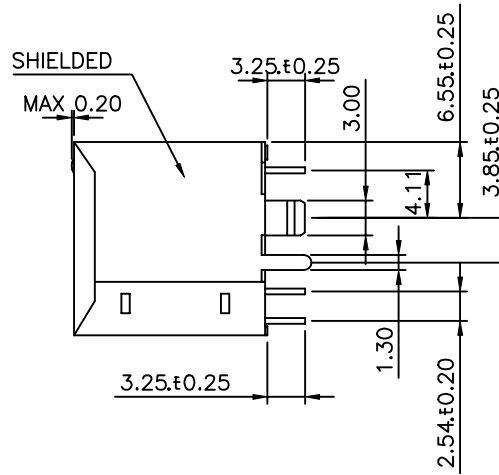
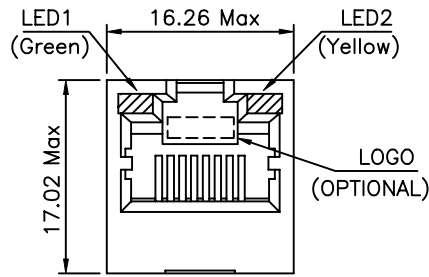


# PROPOSAL



	CODE	LED 2 [LEFT]	LED 1 [RIGHT]
	0	BLOCKED	BLOCKED
	1	YELLOW	GREEN
	2	BLOCKED	GREEN
	3	YELLOW	BLOCKED
☆	4	GREEN	YELLOW
	5	GREEN	GREEN
	6	YELLOW	YELLOW
	7	OR/GR	OR/GR
	8	YE/GR	YE/GR
	9	OR/GR	YELLOW

## NOTES:

### 1. MATERIALS:

HOUSING -PBT POLYESTER UL94V-0  
 MIXED GLASS FIBER.  
 STANDARD COLOR-BLACK.  
 CONTACTS-0.35mm THICK PHOS-BRONZE PLATED  
 WITH HARD GOLD AND TIN/LEAD IN  
 SOLDER AREA.  
 SHIELD-0.25mm THICK COPPER ALLOY,  
 PLATED WITH NICKEL.

### 2. ELECTRICAL:

INSULATION RESISTANCE: 500 MEGOHMS MINIMUM  
 CURRENT RATING: 1.5 AMPS  
 VOLTAGE RATING: 150 VOLTS AC  
 LED FALINGS:  
 FORWARD DC CURRENT: 2mA  
 FORWARD VOLTAGE: 1.8 VOLTS TYPICAL  
 REVERSE VOLTAGE: 5 VOLTS MINIMUM  
 POWER DISSIPATION: GRN.=24mW;YELL.=36mW

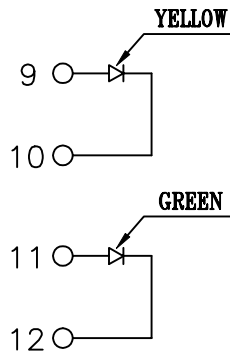
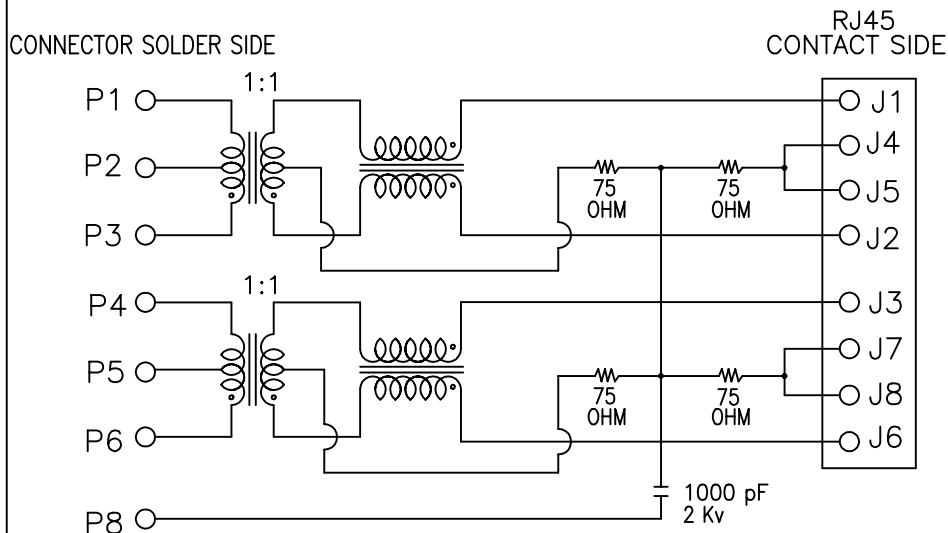
3. CAVITY CONFIRMS TO FCC RULES AND REGULATIONS  
 PART 68,SUBPART F.

4. UNSPECIFIED TOLERANCE: .XX ±0.25[0.010]  
 .X ±0.30[0.012]

CONNECTING THE INFORMATION AGE

XMULTIPLE ASIA 3F, No. 80,Julien St., Taipei, 104, Taiwan. R.O.C.	XMULTIPLE USA 543 Country Club Drive #B 128 Simi Valley, CA 93065	G/NO: DWG NO: XRJV-11-01-8-8-4-901
THIS DRAWING IS A CONTROLLED DOCUMENT.		
TITLE: RJ45 Jack, Vertical Mount, W/LED, 8P, 8C, Shielded/Thru Hole/10/100 Mbps FILTER		DRAWN: F.T CHEN
PART NO: XRJV-11-01-8-8-4-901		CHKD: C. TSAI
DIMENSIONS mm[inch]		SHEET 1 of 2
REV 01		DATE: 24/06/03"

## 2. SCHEMATIC:



XRJG-11-01-8-8-4-901

V-[ W/LED Vertical Mount (Top Entry) ]

SERIAL NUMBER

Turns	Ratb	Xmit/Rcv
1	1:1	1:1
2	1.25:1	1:1
3	1.36:1	1:1
4	1.41:1	1:1
5	2:1	1:1

Application Category

1	10/100 Base Filter
2	10/100/1000 Base Filter
3	10 Base Filter

LED Color Options Table

Number of Contact

Number of Position

Number of Port

## 3. ELECTRICAL CHARACTERISTICS :

TEST NOTES:(25 .±5%)

1.TR:(100KHz,0.1V);

PINS:(1-3):(J1-J2)=1:1±3%

PINS:(4-6):(J3-J6)=1:1±3%

2.LX:(100KHz,100mV,8mA, DC Bias)

PINS: (1,3),(4,6)=350uH MINIMUM

3.DCR:

PINS:(1-3),(J3-J6),(J1-J2)= 1.0 OHMS MAXIMUM

PINS:(4-6)=1.2 OHMS MAXIMUM

4.HIPOT:

PINS(1,2,3)TO(J1,J2)=1500VAC FOR 60 SECONDS

PINS(4,5,6)TO(J3,J6)=1500VAC FOR 60 SECONDS

5.CAPACITOR (1KHz,1V) :

SHIDLD TO (J1-J8)=1300pF MAXIMUM AND 700pF MINIMUM

6. INSERTION LOSS:

-1.0dB MAXIMUM AT 0.1MHz TO 100MHz;

7. RETURN LOSS:

-20dB MINIMUM AT 1MHz TO 30MHz;

-15dB MINIMUM AT 30MHz TO 60MHz

-10dB MINIMUM AT 60MHz TO 100MHz

8. CROSS TALK:

-30dB MINIMUM AT 1MHz TO 100MHz

9. COMMON TO COMMON MODE REJECTION:

-30dB MINIMUM AT 1MHz TO 100MHz

XMULTIPLE		CONNECTING THE INFORMATION AGE
XMULTIPLE ASIA 3F, No. 60,Julien St., Taipei, 104, Taiwan, R.O.C.	XMULTIPLE USA 543 Country Club Drive #B 128 Simi Valley, CA 93065	G/NO:
THIS DRAWING IS A CONTROLLED DOCUMENT.		DWG NO: XRJV-11-01-8-8-4-901
TITLE: RJ45 Jack, Vertical Mount, W/LED, 8P, 8C, Shielded/Thru Hole/10/100 Mbps FILTER		DRAWN: F.T CHEN
PART NO: XRJV-11-01-8-8-4-901	DIMENSIONS mm[inch]	REV 01
SHEET 2 of 2		DATE: 24/06/03"
CHKD: C. TSAI		